

PART NUMBER

KAT177875-XX

REV.

DATE

COMMENTS

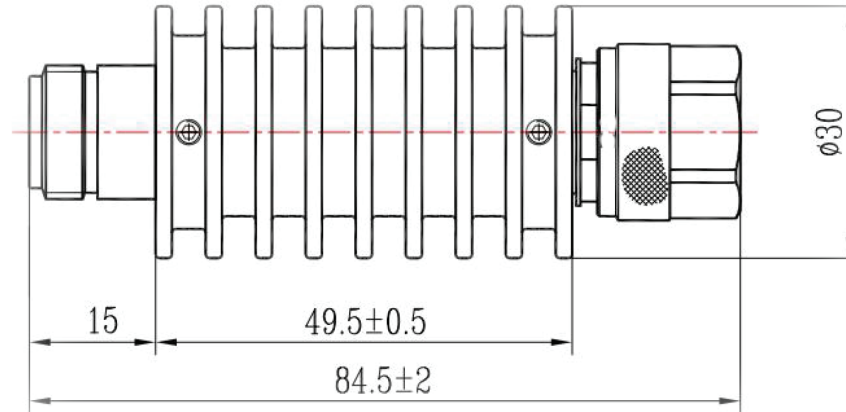
INITIAL

Electrical Data

Impedance 50 Ω
 Frequency Range DC - 6 GHz.
 Power Rating 10W @ 25°C
 Attenuation Range 20 dB+/-0.8 dB
 VSWR 1.25

Mechanical Data

Temperature Range: -55 °C - 125 °C

RoHS Compliant

Drawing not to scale. Dimensions for reference only

Units: mm

WWW.KONNECTRF.COM
 1-800-790-5887

PART NUMBER

KAT177875-XX

DESCRIPTION

Fixed Attenuator, N Male/Female

CAGE CODE

664U0

SIGNATURE

X

THIS DRAWING INCLUDING THE
 DESIGNS IS THE PROPERTY OF
 KONNECT RF AND IS NOT TO
 BE USED FOR ANY PURPOSE
 WITHOUT OUR APPROVAL.

Substitute Attenuation for XX

Component	Material	Plating
Center Contact	BeCu	Gold