

PART NUMBER

KAT177859-XX

REV.

DATE

COMMENTS

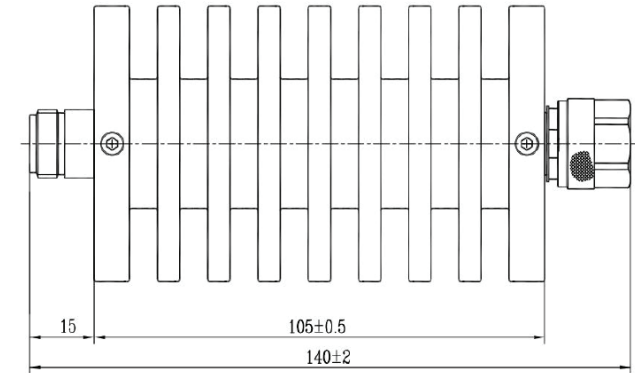
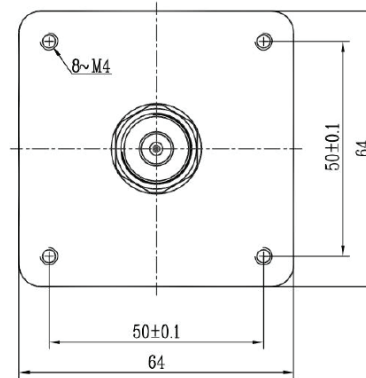
INITIAL

Electrical Data

Impedance	50 Ω
Power Rating	100 Watts @25°C derated linearly to 0 watts @ 125°C
Peak Power	5kW (5 μ s pulse width, 1% duty cycle)
Frequency Range	DC-4 GHz
Attenuation Range	3-10dB \pm 0.7dB 11-20dB \pm 0.7dB 21-30dB \pm 0.8dB 31-40dB \pm 0.8dB 50-60dB \pm 1.0dB
VSWR	1.20 Max

Mechanical Data

Temperature Range:	-55 °C - 125 °C
Temperature Coefficient	<0.0004 dB/dB/°C

**RoHS Compliant**

Drawing not to scale. Dimensions for reference only

Units: mm

Konnect RFWWW.KONNECTRF.COM
1-800-790-5887

PART NUMBER

KAT177859-XX

DESCRIPTION

Fixed Attenuator, N Male/Female , Uni-Directional

CAGE CODE

664U0

SIGNATURE

X

THIS DRAWING INCLUDING THE DESIGNS IS THE PROPERTY OF KONNECT RF AND IS NOT TO BE USED FOR ANY PURPOSE WITHOUT OUR APPROVAL.

Component

Body
Housing
Male Contact
Female Contact

Material

Brass
Aluminum Blackend Anodize
Brass
BeCu

Plating

White Bronze
Gold
Gold