

PART NUMBER

**KAT177853-XX**

REV.

DATE

COMMENTS

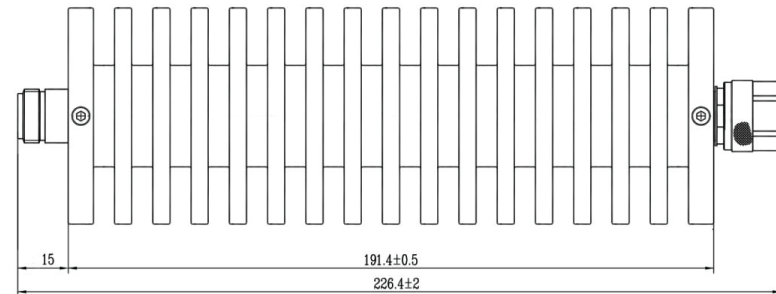
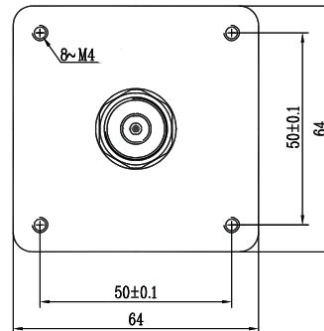
INITIAL

**Electrical Data**

Impedance	50 $\Omega$
Power Rating	200W @25°C derated linearly to 0 watts @ 125°C
Frequency Range	DC - 18 GHz.
Attenuation Range	6-10dB @ $\pm 3.5$ dB 11-20dB @ $\pm 2.0$ dB 21-30dB @ $\pm 1.5$ dB 31-40dB @ $\pm 1.3$ dB 50-60dB @ $\pm 1.3$ dB
VSWR	1.45 max

**Mechanical Data**

Temperature Range: -55 °C - 125 °C

**RoHS Compliant**

Drawing not to scale. Dimensions for reference only

Units: mm

**Konnect RF**WWW.KONNECTRF.COM  
1-800-790-5887

PART NUMBER

**KAT177853-XX**

DESCRIPTION

**Fixed Attenuator, N Male/Female , Uni-Directional**

CAGE CODE

**664U0**

SIGNATURE

X

THIS DRAWING INCLUDING THE  
DESIGNS IS THE PROPERTY OF  
KONNECT RF AND IS NOT TO  
BE USED FOR ANY PURPOSE  
WITHOUT OUR APPROVAL.**Component**Body  
Connectors**Material**Aluminum Blackening  
Brass**Plating**

White Bronze