

PART NUMBER

**KAT177847**

REV.

DATE

COMMENTS

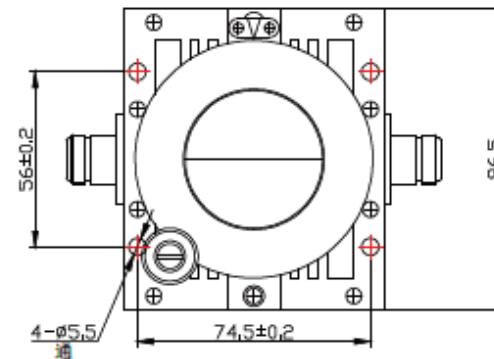
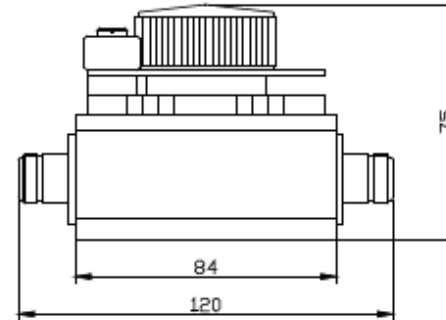
INITIAL

**Electrical Data**

Impedance	50 Ω
Frequency Range	2.7~2.9GHz
Attenuation Range	0~10dB
Attenuation Accuracy	±0.75dB
VSW	1.50 max.(Forward)
Insertion Loss	1.0dB max
Power Handling	50W
Peak Power	500W

**Mechanical Data**

Temperature Range: -40 °C - 65 °C

**RoHS Compliant**

Drawing not to scale. Dimensions for reference only

Units: mm

**Konnect RF**

WWW.KONNECTRF.COM  
1-800-790-5887

PART NUMBER

**KAT177847**

DESCRIPTION

**Variable Attenuator, N Female/N Female**

CAGE CODE

**664U0**

SIGNATURE

X

THIS DRAWING INCLUDING THE  
DESIGNS IS THE PROPERTY OF  
KONNECT RF AND IS NOT TO  
BE USED FOR ANY PURPOSE  
WITHOUT OUR APPROVAL.