

PART NUMBER

**KAT177841-XX**

REV.

DATE

COMMENTS

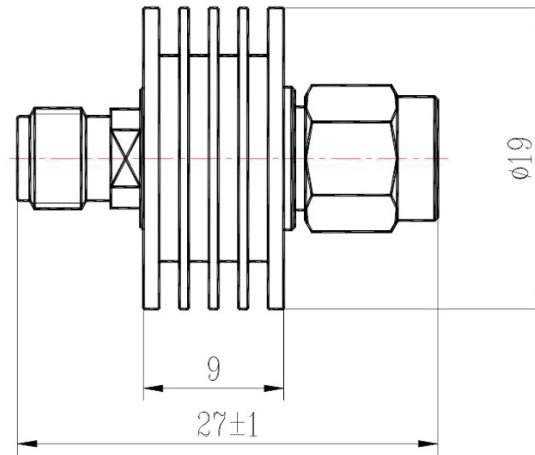
INITIAL

**Electrical Data**

Impedance 50  $\Omega$   
 Frequency Range DC - 18 GHz.  
 Power Rating 5W @ 25°C derated linearly to 0 watts @ 125 °C  
 Attenuation Range & Accuracy 1-10 dB +/- 0.6 dB  
 11-20 +/- 0.8 dB  
 21-30 +/- 1 dB  
 VSWR 1.30

**RoHS Compliant****Mechanical Data**

Temperature Range: -55 °C - 125 °C



Drawing not to scale. Dimensions for reference only

Units: mm

**Konnect RF**

WWW.KONNECTRF.COM  
 1-800-790-5887

PART NUMBER

**KAT177841-XX**

DESCRIPTION

**Fixed Attenuator, SMA Male/Female, Bidirectional**

CAGE CODE

**664U0**

SIGNATURE

X

**Component**  
Connectors

**Material**  
Stainless Steel

**Plating/Finish**  
Passivated

THIS DRAWING INCLUDING THE  
 DESIGNS IS THE PROPERTY OF  
 KONNECT RF AND IS NOT TO  
 BE USED FOR ANY PURPOSE  
 WITHOUT OUR APPROVAL.