

PART NUMBER

**KAT177831**

REV.

DATE

COMMENTS

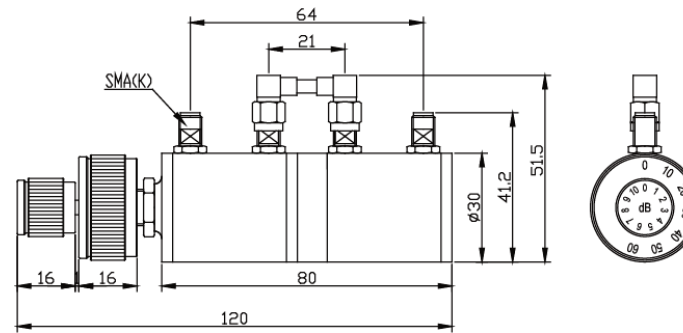
INITIAL

**Electrical Data**

Impedance	50 $\Omega$
Frequency Range	DC - 2.5 GHz.
Attenuation	0-100 dB in 1 dB Steps
Insertion Loss	$\leq 1.0$ dB
Attenuation Accuracy	+/- 0.5 dB ( $\leq 10$ dB) +/- 0.8 dB or 3% (<60 dB) +/- 1.5 dB or 3% (<70 dB) +/- 3.5 % ( $\geq 70$ dB)
Average Power	2W
Peak Power	100W (5 $\mu$ pulse width with 0.5% duty cycle)
VSWR	1.30

**Mechanical Data**

Temperature Range: -20 °C - 85 °C

**RoHS Compliant**

Drawing not to scale. Dimensions for reference only

Units: (mm)

**Konnect RF**

WWW.KONNECTRF.COM  
1-800-790-5887

PART NUMBER

**KAT177831**

DESCRIPTION

**Variable Attenuator, SMA Female**

CAGE CODE

**664U0**

SIGNATURE

X

THIS DRAWING INCLUDING THE  
DESIGNS IS THE PROPERTY OF  
KONNECT RF AND IS NOT TO  
BE USED FOR ANY PURPOSE  
WITHOUT OUR APPROVAL.

**Component**

Body  
Center Contact  
Housing

**Material**

BeCu  
BeCu  
Brass

**Plating**

Nickel  
Gold  
Nickel