

PART NUMBER

**KAT177814-XX**

REV.

DATE

COMMENTS

INITIAL

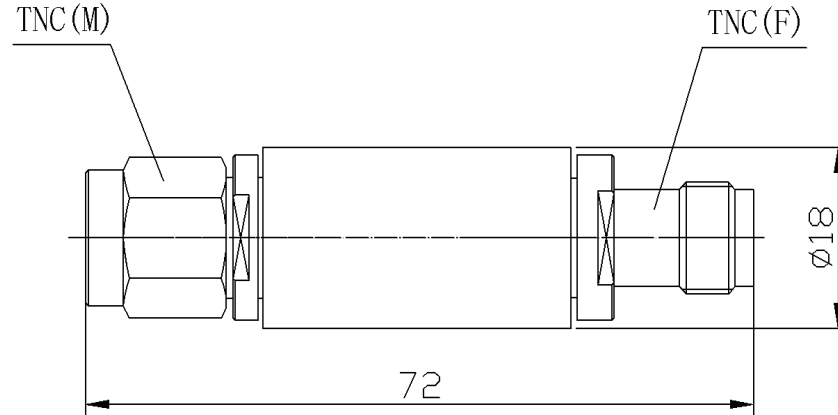
RoHS Compliant

**Electrical Data**

Impedance	50 $\Omega$
Frequency Range	DC - 4 GHz
Attenuation Value	1-9 dB +/- 0.4 dB 10-20 dB +/- 0.5 dB 30-40 dB +/- 0.6 dB 50-60 dB -1.0/+0.5 dB 70-80 dB +/-1.0
VSWR	1.25
Average Power	5W average to 25°C ambient temperature, derated linearly to 0.5W @ 125°C.
Peak Power	0.5KW (5 $\mu$ s pulse width with 0.4% duty cycle)

**Mechanical Data**

Temperature Range	-55 °C - 125 °C
-------------------	-----------------



Drawing not to scale. Dimensions for reference only

Units: mm

**Konnect RF**

WWW.KONNECTRF.COM  
1-800-790-5887

PART NUMBER

**KAT177814-XX**

DESCRIPTION

**Fixed Attenuator, TNC Male/Female**

CAGE CODE

**664U0**

SIGNATURE

X

THIS DRAWING INCLUDING THE  
DESIGNS IS THE PROPERTY OF  
KONNECT RF AND IS NOT TO  
BE USED FOR ANY PURPOSE  
WITHOUT OUR APPROVAL.

**Component**

Connectors  
Male Pin  
Female Pin  
Housing

**Material**

Brass  
Brass  
BeCu  
Brass

**Plating**

Nickel  
Gold  
Gold  
Nickel