

PART NUMBER

KAT177795

REV.

DATE

COMMENTS

INITIAL

Electrical Data

Impedance	50 Ω
Frequency Range	2.2 Min 2.25 Max GHz
Insertion Loss	1.2dB
Attenuation Range	0-40dB
Control Voltage	10V
Power Rating	28dBm
VSWR	1.5

RoHS Compliant**Mechanical Data**

Values at 25°C

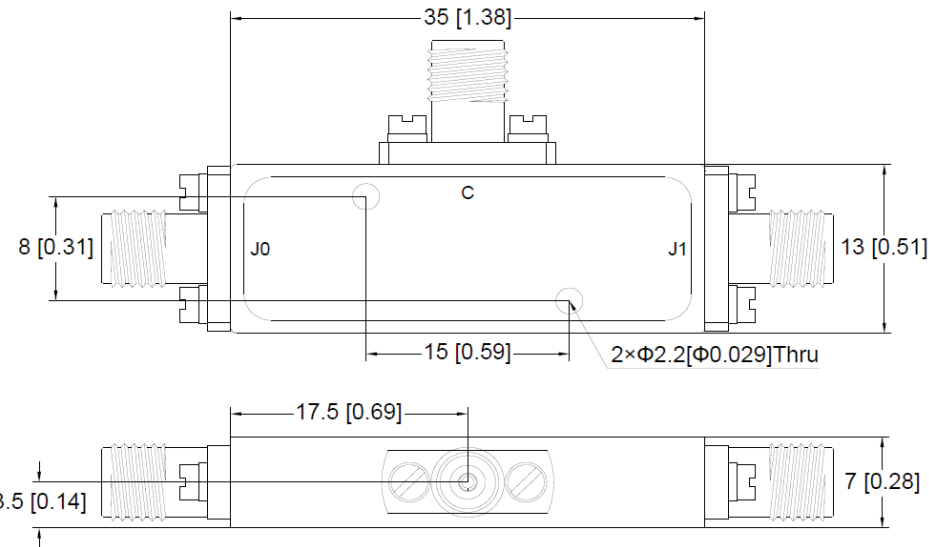
Operational Temperature	-45°C~+85°C
Storage Temperature	-55°C~+125°C

Standards

Vibration 25g rms (15 degree 2KHz)
 Humidity 100% RH at 35°C
 95% RH at 40°C
 Shock 20G for 11msc

Absolute Maximum Ratings

Control Voltage 10V
 Input RF Power +30dBm
 Storage Temperature -55°C~+125°C



Drawing not to scale. Dimensions for reference only

Units: mm (Inches) Tolerances: Outline drawing ± 0.1 mm ; Hole ± 0.1 mm**Konnect RF**

WWW.KONNECTRF.COM
 1-800-790-5887

PART NUMBER

KAT177795

DESCRIPTION

Voltage Variable Attenuator, SMA Female/Female

CAGE CODE

664U0

SIGNATURE

X

Component
 Body

Plating
 Gold

THIS DRAWING INCLUDING THE
 DESIGNS IS THE PROPERTY OF
 KONNECT RF AND IS NOT TO
 BE USED FOR ANY PURPOSE
 WITHOUT OUR APPROVAL.