

PART NUMBER

KAT177771

REV.

DATE

COMMENTS

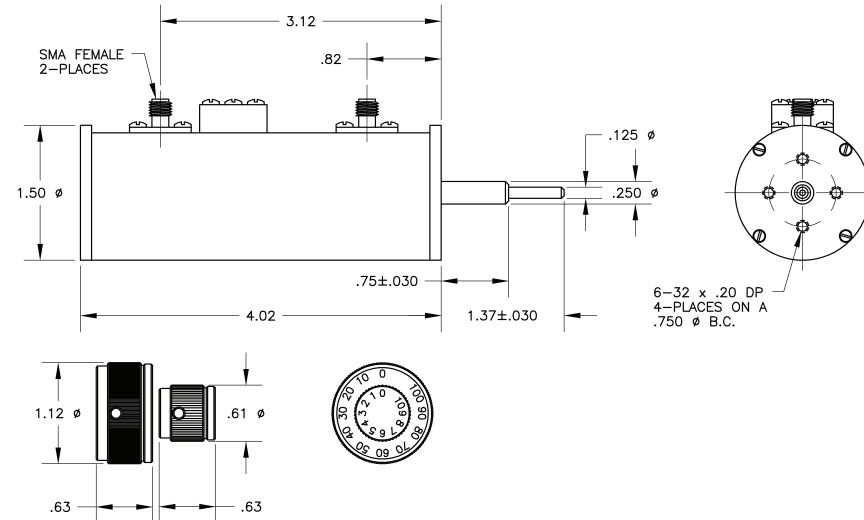
INITIAL

Electrical Data

Impedance	50 Ω
Frequency Range	DC - 1 GHz.
Attenuation Range	0-110 dB in 1 dB step
Attenuation Accuracy	± 0.2 dB or 1% DC - 0.5 GHz ± 0.3 dB or 2% 0.5 - 1.0 GHz
Insertion Loss	≤ 0.5 dB maximum
RF Input Power	2 Watts average 1,000 Watts peak
Direction of Rotation	Attenuation increases in a clockwise direction
Indexing	30 degrees with stops at Minimum and maximum
VSWR	1.2 maximum DC - 0.5 GHz 1.4 maximum 0.5 - 1.0 GHz

RoHS Compliant**Mechanical Data**

Temperature Range: -20 °C - 85°C



Drawing not to scale. Dimensions for reference only

Units: inches (mm)

Konnect RFWWW.KONNECTRF.COM
1-800-790-5887

PART NUMBER

KAT177771

DESCRIPTION

Dual Rotary Attenuator, SMA Female

CAGE CODE

664U0

SIGNATURE

X

THIS DRAWING INCLUDING THE
DESIGNS IS THE PROPERTY OF
KONNECT RF AND IS NOT TO
BE USED FOR ANY PURPOSE
WITHOUT OUR APPROVAL.