

PART NUMBER

**KAT177756-XX**

REV.

DATE

COMMENTS

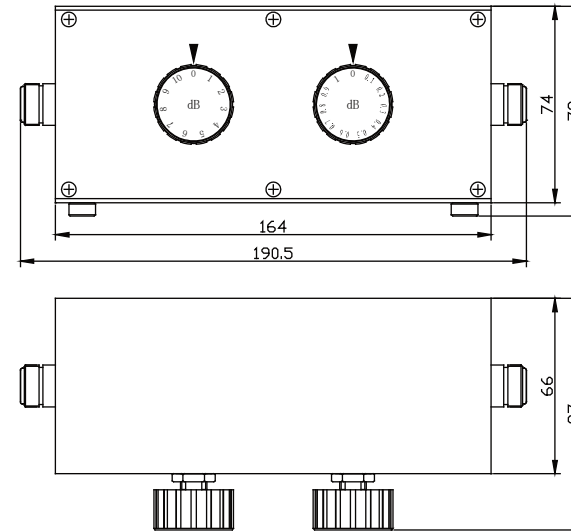
INITIAL

**Electrical Data**

Impedance 50  $\Omega$   
 Frequency Range DC -3 GHz.  
 Average Power 2W,10W  
 Peak Power 100W (5 $\mu$ s pulse width with 2% duty cycle)  
 Attenuation Step Size 0-100 in 1 dB Steps  
 Attenuation Accuracy(dB)  $\pm$ 0.8dB or 3%(<60dB)  
 $\pm$ 1.5dB or 3%(<70dB)  
 $\pm$ 3.5%( $\geq$ 70dB)

**Mechanical Data**

Temperature Range: -20  $^{\circ}$ C - 85  $^{\circ}$ C

**RoHS Compliant**

Drawing not to scale. Dimensions for reference only

Units: mm Tolerance  $\pm$ 5%**Konnect RF**

WWW.KONNECTRF.COM  
 1-800-790-5887

PART NUMBER

**KAT177756-XX**

DESCRIPTION

**Variable/Step Attenuator, N Female**

CAGE CODE

**664U0**

SIGNATURE

X

Attenuation Value =XXdB

**Component**

Body  
 Female Pin  
 Housing

**Material**

Brass  
 BeCu  
 Aluminum

**Plating**

Nickel  
 Gold  
 Blue Spray Paint

THIS DRAWING INCLUDING THE  
 DESIGNS IS THE PROPERTY OF  
 KONNECT RF AND IS NOT TO  
 BE USED FOR ANY PURPOSE  
 WITHOUT OUR APPROVAL.