

PART NUMBER

KAT177717-XX

REV.

DATE

COMMENTS

INITIAL

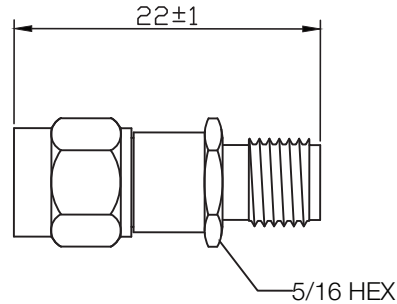
Electrical Data

Impedance 50 Ω
 Frequency Range DC-18GHz
 VSWR 1.35max
 Attenuation Accuracy
 0-10dB \pm 0.5dB
 20 -30 \pm 0.7dB
 40 \pm 1.0dB
 Input Power 2 Watts Avg. @ 25°C

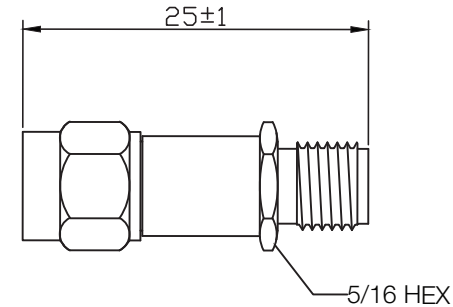
Mechanical Data

Temperature Range: -40 °C - 125 °C
 Durability 500 Cycles Min

RoHS Compliant



0-12dB



15,20,30,40dB

Drawing not to scale. Dimensions for reference only

Units: mm

Konnect RF

WWW.KONNECTRF.COM
 1-800-790-5887

PART NUMBER

KAT177717-XX

DESCRIPTION

Fixed Attenuator, SMA Male/Female

CAGE CODE

664U0

SIGNATURE

X

Attenuation Value =XXdB

Component
 Body
 Center Contact

Material
 Stainless Steel
 BeCu

Plating/Finish
 Passivated
 Gold

THIS DRAWING INCLUDING THE
 DESIGNS IS THE PROPERTY OF
 KONNECT RF AND IS NOT TO
 BE USED FOR ANY PURPOSE
 WITHOUT OUR APPROVAL.