

PART NUMBER

**KAT177696**

REV.

DATE

COMMENTS

INITIAL

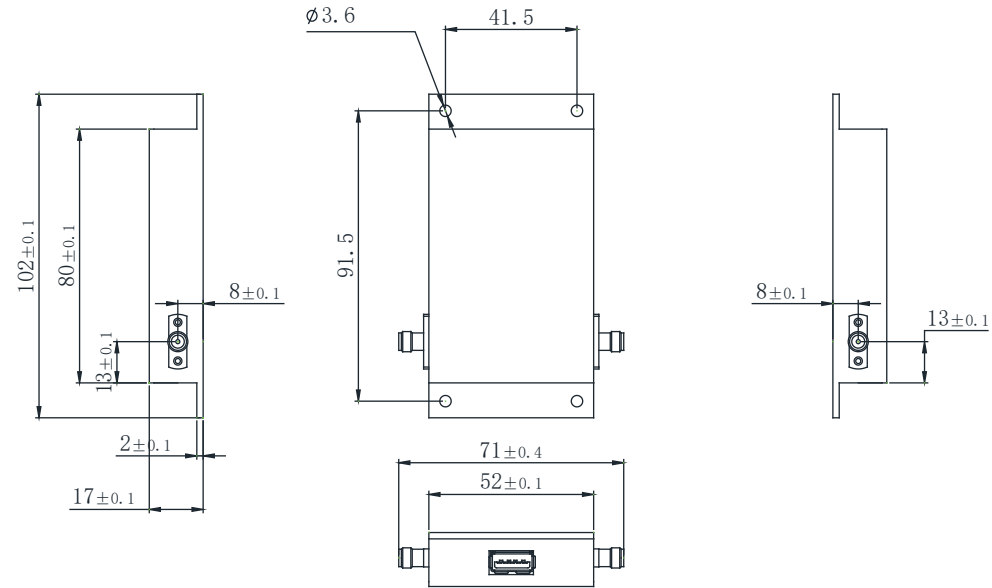
**Electrical Data**

Impedance	50 $\Omega$
Frequency Range	0.088-0.6 GHz.
Insertion Loss	$\leq$ 0.8 dB
Attenuation	30 dB Max
Step Attenuation	1 dB
Attenuation Accuracy	+/- 0.5 dB
Switch Time	50us
Supply Voltage	+5V
Power	0.1W
VSWR	$\leq$ 1.35

**Mechanical Data**

Temperature Range:	0 $^{\circ}$ C - 50 $^{\circ}$ C
Temperature Range:	-20 $^{\circ}$ C - 85 $^{\circ}$ C

RoHS Compliant



Size : 102mm \* 52mm \* 17mm (not including RF connector)

Drawing not to scale. Dimensions for reference only

Units: mm

**Konnect RF**

WWW.KONNECTRF.COM  
1-800-790-5887

PART NUMBER

**KAT177696**

DESCRIPTION

**Variable Attenuator, SMA Female**

CAGE CODE

**664U0**

SIGNATURE

X

THIS DRAWING INCLUDING THE  
DESIGNS IS THE PROPERTY OF  
KONNECT RF AND IS NOT TO  
BE USED FOR ANY PURPOSE  
WITHOUT OUR APPROVAL.