

PART NUMBER

**KAT177689-XX**

REV.

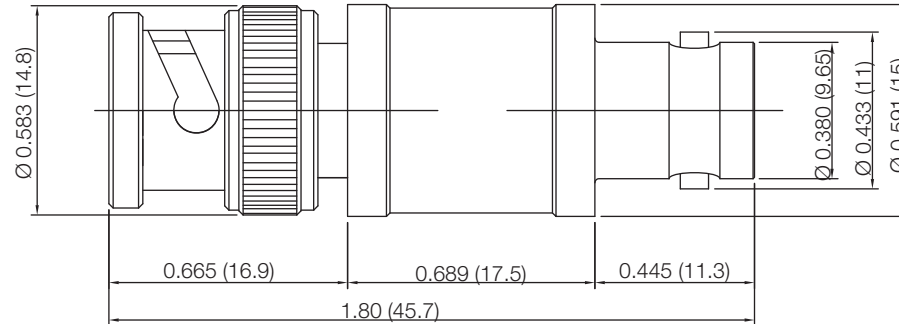
DATE

COMMENTS

INITIAL

**Electrical Data**

Impedance	75 $\Omega$
Frequency Range	DC - 3 GHz.
Power Rating	2 Watts Average
Attenuation Range	1-10 dB +/- 0.5
VSWR	1.20

**RoHS Compliant**

Drawing not to scale. Dimensions for reference only

Units: inches (mm)

**Konnnect RF**

WWW.KONNECTRF.COM  
1-800-790-5887

PART NUMBER

**KAT177689-XX**

DESCRIPTION

**Fixed Attenuator, 75 Ohm BNC M/F**

CAGE CODE

**664U0**

SIGNATURE

X

Substitute Attenuation Value for XX

THIS DRAWING INCLUDING THE  
DESIGNS IS THE PROPERTY OF  
KONNECT RF AND IS NOT TO  
BE USED FOR ANY PURPOSE  
WITHOUT OUR APPROVAL.

**Component**

Body  
Center Contact  
Insulator

**Material**

Brass  
Brass  
PTFE

**Plating**

Nickel  
Gold