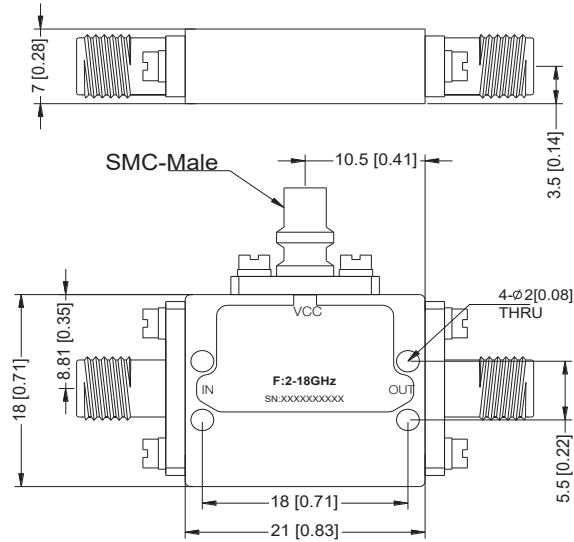


KAT177686

Reflective Voltage Control Attenuator 2-18GHz



All Dimensions in mm (inches)

Parameters	Min	Typ.	Max	Units
Frequency Range	2		18	GHz
Attenuation Range		50		dB
Insertion Loss		1.4	1.8	dB
Insertion Loss Temperature Coefficient		0.003		dB / °C
Input VSWR		1.5	1.8	: 1
Output VSWR		1.5	1.8	: 1
Input Power (CW)			5	w
Peak Power(1us wide, 0.1% Duty Cycle)			75	w
0.1dB Compression Point (P0.1dB)		37		dBm
Input IP3		45		dBm
Switching Speed		2.0	5.0	us
Control Voltage	0	10		V
Input Control Current		15		mA
Weight		0.71		Ounces
Impedance		50		Ω
Input / Output Connectors	SMA - Female			
Control Input Connector	SMC - Male			
Finishing	Gold Plating			
Material	Copper			
Sealing	Hermetically Sealed (Optional)			

Absolute Maximum Ratings

Control Voltage	DC~13V
RF Input power	+37.5dBm

Environmental Specifications

Operational Temperature	-45°C~+85°C
Storage Temperature	-55°C~+125°C
Altitude	30,000 ft. (Epoxy Sealed Controlled environment)
	60,000 ft. 1.0psi min (Hermetically Sealed Un-controlled environment) (Optional)
Vibration	25g RMS (15 degrees 2KHz) endurance, 1 hour per axis
Humidity	100% RH at 35c, 95%RH at 40°C
Shock	20G for 11msec half sine wave,3 axis both directions