

PART NUMBER

KAT177660-50

REV.

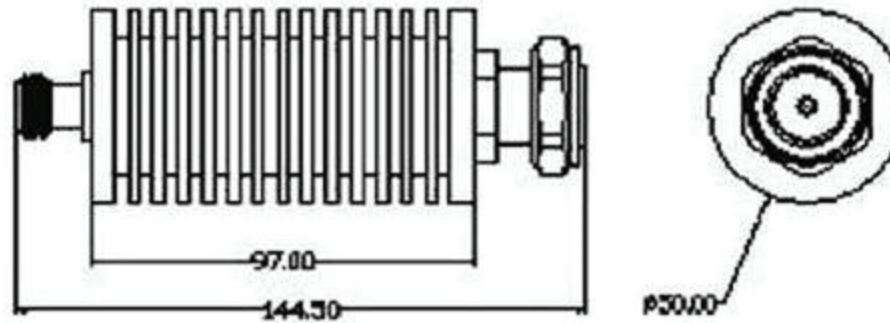
DATE

COMMENTS

INITIAL

Electrical Data

Impedance	50 Ω
Frequency Range	DC - 3 GHz.
Attenuation	50 dB
Average Power	50W
Attenuation Tolerance	± 1.0 dB
VSWR	≤ 1.35

RoHS Compliant

Drawing not to scale. Dimensions for reference only

Units: mm

WWW.KONNECTRF.COM
1-800-790-5887

PART NUMBER

KAT177660-50

DESCRIPTION

Fixed Attenuator, 7/16 DIN Male Input, N Female Output

CAGE CODE

664U0

SIGNATURE

X

THIS DRAWING INCLUDING THE
DESIGNS IS THE PROPERTY OF
KONNECT RF AND IS NOT TO
BE USED FOR ANY PURPOSE
WITHOUT OUR APPROVAL.