

PART NUMBER

**KAT177654**

REV.

DATE

COMMENTS

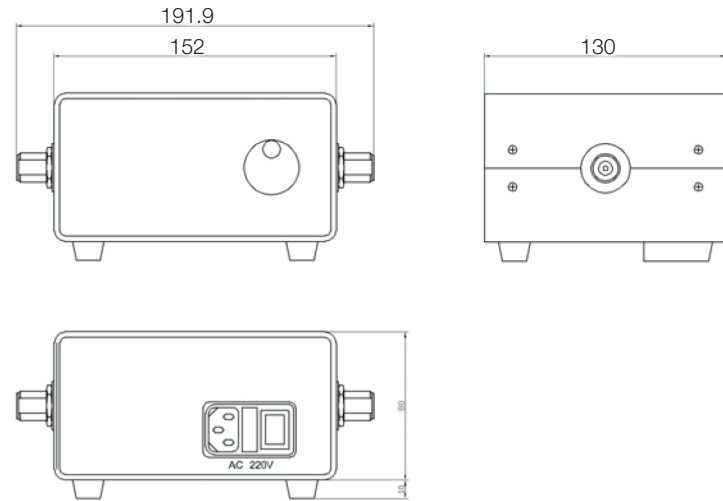
INITIAL

**Electrical Data**

Impedance	50 $\Omega$
Frequency Range	DC - 3 GHz.
Attenuation Range(dB)	127/1
Attenuation Accuracy (dB)	$\pm 0.5$ (1-9) $\pm 1$ (10-31) $\pm 1.5$ (32-63) $\pm 2.5\%$ (>63)
Insertion Loss	$\leq 6$ dB
RF Input Power (dBm)	33
Switch Speed	6ms
Remote Control	Ethernet
VSWR	1.5

**Mechanical Data**

Temperature Range: 0 °C - 50 °C

**RoHS Compliant**

Drawing not to scale. Dimensions for reference only

Units: mm

**Konnect RF**

WWW.KONNECTRF.COM  
1-800-790-5887

PART NUMBER

**KAT177654**

DESCRIPTION

**Programmable Attenuator, N Female Jack**

CAGE CODE

**664U0**

SIGNATURE

X

THIS DRAWING INCLUDING THE  
DESIGNS IS THE PROPERTY OF  
KONNECT RF AND IS NOT TO  
BE USED FOR ANY PURPOSE  
WITHOUT OUR APPROVAL.

**Component**

Body  
Female Pin  
Housing

**Material**

Brass  
BeCu  
Aluminum

**Plating**

Nickel  
Gold  
Grey Powder Coat