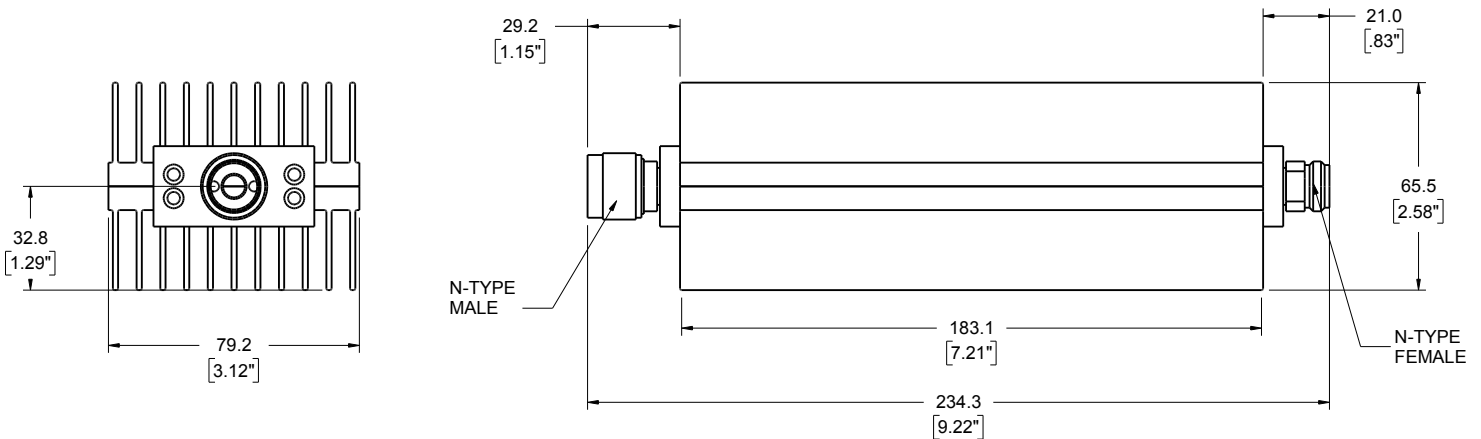


Fixed Attenuator, 250.0W, 5.0GHz, Type N



Designed to meet with MIL-DTL-3933 environmental specifications. Low inter-modulation Option in 10, 20, 30 and 40dB models.

Dimensions & Weight: 1.30 kg; Length: 197.00 mm; Width: 88.00 mm; Height: 66.50 mm

Connection & Mounting: Type N stainless steel M/F connectors per MIL-STD-348A, interface dimensions mate non-destructively with MIL-PRF-39012.

Construction: Black aluminum alloy body with passivated stainless steel connectors. Gold plated beryllium copper or Stainless Steel contacts. RoHs Compliant

Calibration: Insertion Loss and VSWR performed across frequency range. Calibration test data available at additional cost.

Options: Low Intermodulation

Power: High Power (150W - 1000W)

Average Power Description: Maximum rated average power to 25°C ambient temperature, de-rated linearly to 25 W at 125°C.

Average Power: 250

Peak Power: 10 kW peak (5 µsec pulse width, 1.5% duty cycle)

Power Coefficient: <0.005 dB/dB/W

Directionality: Unidirectional

Frequency Range: dc to 5.0

Attenuation Range: 10 to 40

Attenuation Accuracy:	Attenuation Range	3 to 20 dB	21 to 40 dB
	Attenuation Accuracy (+/- dB)	1.50	1.75

Nominal Impedance: 50

Temperature Range: -55°C to +125°C

Temperature Coefficient: <0.0004 dB/dB/C

VSWR:	Frequency Range (GHz)	dc to 2.0	2.0 to 5.0
	VSWR (max)	1.20	1.25