

PART NUMBER

**KAT177620**

REV.

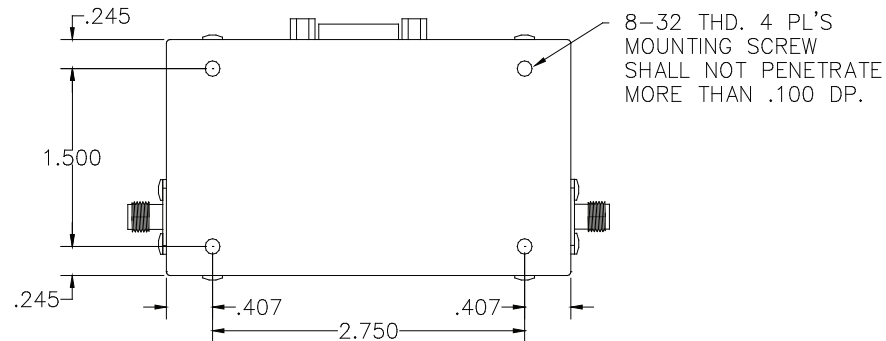
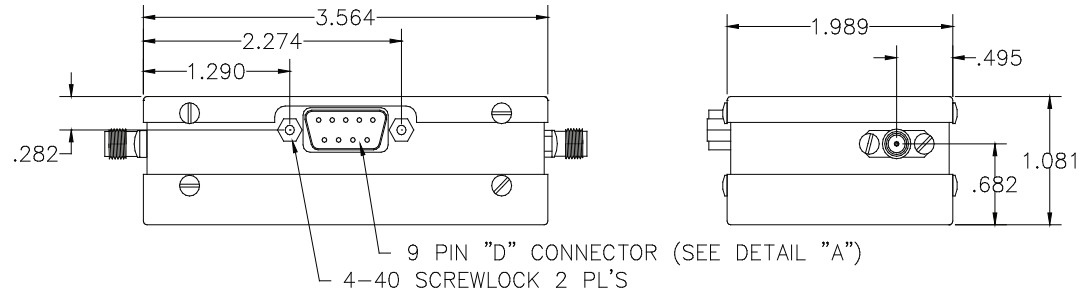
DATE

COMMENTS

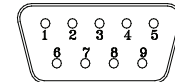
INITIAL

**Electrical Data**

Impedance	50 $\Omega$
Frequency Range	DC - 3 GHz.
Insertion Loss	$\leq$ 4.9 dB
Attenuation Range	0 - 63 dB
Attenuation Accuracy	$\pm$ 2 dB
Attenuation Steps	1, 2, 4, 8, 16, 32 dB
Average Power	0.5 Watt
DC Supply	+12 VDC @ 217 ma
TTL Logic	TTL Positive Logic
Switching Method	Mechanical Relays
Switching Speed	6 milliseconds Max.
Switch Life	10,000,000 Selections per Bit
VSWR	$\leq$ 1.5

**RoHS Compliant**

DETAIL "A"



1-1dB  
 2-2dB  
 3-4dB  
 4-8dB  
 5-16dB  
 6-32dB  
 7-OPEN  
 8-GROUND  
 9-+12VDC

Drawing not to scale. Dimensions for reference only

Units: inches

**Konnect RF**

WWW.KONNECTRF.COM  
 1-800-790-5887

PART NUMBER

**KAT177620**

DESCRIPTION

**Programmable Step Attenuator, SMA Female**

CAGE CODE

**664U0**

SIGNATURE

X

THIS DRAWING INCLUDING THE  
 DESIGNS IS THE PROPERTY OF  
 KONNECT RF AND IS NOT TO  
 BE USED FOR ANY PURPOSE  
 WITHOUT OUR APPROVAL.