

PART NUMBER

KAT177599-XX

REV.

DATE

COMMENTS

INITIAL

Electrical Data

Impedance 50 Ω
 Frequency Range DC - 18 GHz.
 Nominal Attenuation Values 1-60 dB
 Power Sensitivity <0.005 dB/dB/W
 Bidirectional In Power
 Power Rate 10 Watts CW/1KW Peak
 (5 Microsecond Pulse Width; 0.5% Duty Cycle)
 To 25°C Ambient Temp, Derated Linearly
 To 0 Watts at 125°C
 Temperature Coefficient <0.004 dB/dB/°C

RoHS Compliant**Mechanical Data**

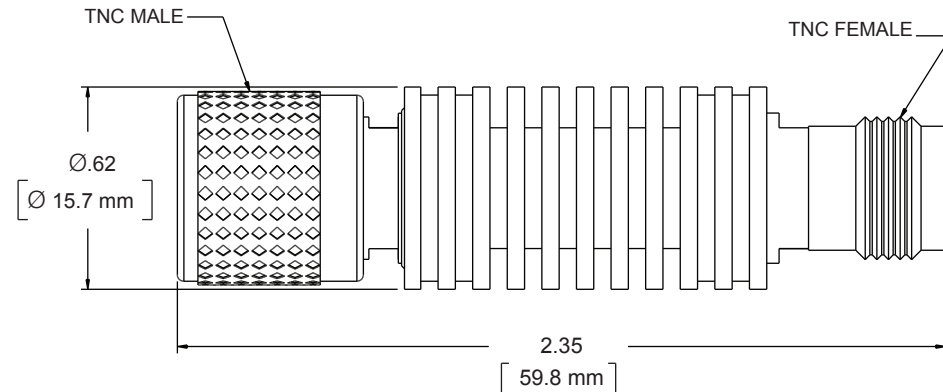
Temperature Range: -55 °C - 125 °C

STANDARD NOMINAL VALUES AND DEVIATIONS:

ATTENUATION (dB)	ACCURACY +/- dB
	DC - 18.0 GHZ
1, 2, 4, 5, 7 - 19	0.5
3, 6	0.3
20 - 25	0.7
26 - 30	1.0
31 - 60	1.5

MAXIMUM VSWR:

FREQUENCY(GHZ)	VSWR
DC - 8.0	1.20
8.0 - 12.4	1.40
12.4 - 18.0	1.50



Drawing not to scale. Dimensions for reference only

Units: inches (mm)

Konnect RF

WWW.KONNECTRF.COM
 1-800-790-5887

PART NUMBER

KAT177599-XX

DESCRIPTION

Fixed Attenuator, TNC Male/Female

CAGE CODE

664U0

SIGNATURE

X

THIS DRAWING INCLUDING THE
 DESIGNS IS THE PROPERTY OF
 KONNECT RF AND IS NOT TO
 BE USED FOR ANY PURPOSE
 WITHOUT OUR APPROVAL.

Component

Body
 Center Contact

Material

Stainless Steel
 BeCu

Plating/Finish

Passivated
 Gold