

PART NUMBER

KAT177596

REV.

DATE

COMMENTS

INITIAL

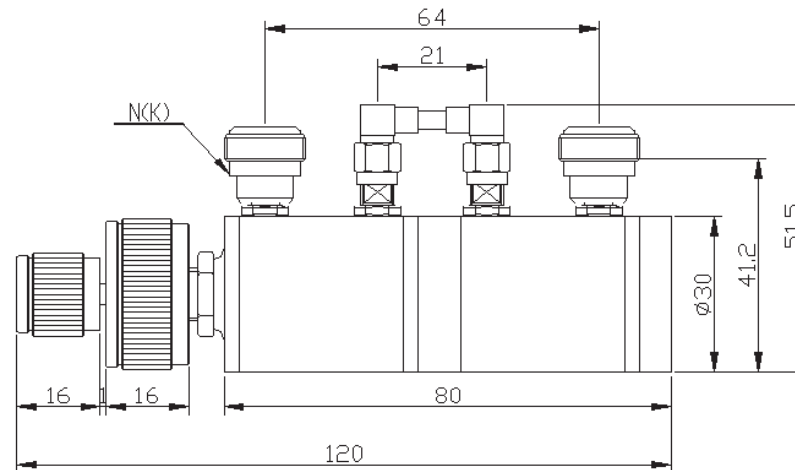
Electrical Data

Impedance	50 Ω
Frequency Range	DC - 6 GHz.
Insertion Loss	≤ 2 dB
Power Handling	2W, Average
Attenuation Accuracy	+/-0.6 dB (≤ 10 dB) +/-0.9 dB or 3% (<60dB) +/-1.6 dB or 3% (<70 dB) +/-3.7 % or (≥ 70 dB)
Attenuation Step	0-100 dB in 1 dB Steps
VSWR	≤ 1.7

Mechanical Data

Temperature Range: -20 °C - 85 °C

RoHS Compliant



Drawing not to scale. Dimensions for reference only

Units: mm

Konnect RFWWW.KONNECTRF.COM
1-800-790-5887

PART NUMBER

KAT177596

DESCRIPTION

Rotary Attenuator, N Female

CAGE CODE

664U0

SIGNATURE

X

THIS DRAWING INCLUDING THE
DESIGNS IS THE PROPERTY OF
KONNECT RF AND IS NOT TO
BE USED FOR ANY PURPOSE
WITHOUT OUR APPROVAL.