

PART NUMBER

KAT177569-XX

REV.

DATE

COMMENTS

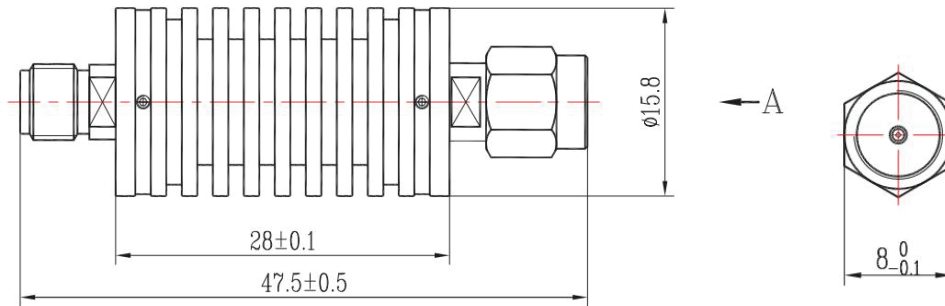
INITIAL

Electrical Data

Impedance 50 Ω
 Frequency Range DC - 12.4GHz.
 Power Rating 10W @ 25°C Derated Linearly to 0 Watts @ 125°C
 VSWR ≤ 1.35
 Attenuation & Accuracy 1-10 dB +/- 0.6 dB
 11-20 dB +/- 0.7 dB
 21-30 dB +/- 0.8 dB
 31-40 dB +/- 0.9 dB

RoHS Compliant**Mechanical Data**

Temperature Range: -55 °C - 125 °C



Drawing not to scale. Dimensions for reference only

Units: mm

Konnect RF

WWW.KONNECTRF.COM
 1-800-790-5887

PART NUMBER

KAT177569-XX

DESCRIPTION

Fixed Attenuator, SMA Male/Female, Bi-Directional

CAGE CODE

664U0

SIGNATURE

X

Substitute Attenuation Value in dB for XX

Component

Body
 Connectors

Material

Alumunim Alloy
 Stainless Steel

Plating/Finish

Black
 Passivated

THIS DRAWING INCLUDING THE
 DESIGNS IS THE PROPERTY OF
 KONNECT RF AND IS NOT TO
 BE USED FOR ANY PURPOSE
 WITHOUT OUR APPROVAL.