

PART NUMBER

KAT177533-XX

REV.

DATE

COMMENTS

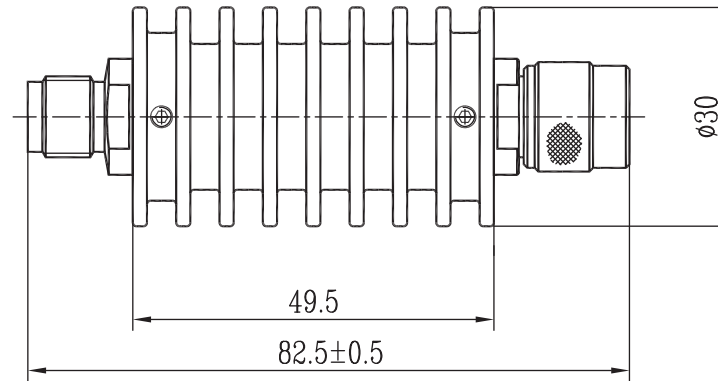
INITIAL

Electrical Data

Impedance 50 Ω
 Frequency Range DC - 6 GHz.
 Attenuation Range 1-30 dB
 Attenuation Accuracy 1-10 dB +/- 0.4 dB
 11-20 dB +/- 0.6 dB
 21-30 dB +/- 0.6 dB
 Power Rating 10W @ 25°C
 VSWR 1.2 @ DC-4 GHz
 1.25 @ DC- 6 GHz

Mechanical Data

Temperature Range: -55 °C - 125 °C

RoHS Compliant

Drawing not to scale. Dimensions for reference only

Units: mm

WWW.KONNECTRF.COM
 1-800-790-5887

PART NUMBER

KAT177533-XX

DESCRIPTION

Fixed Attenuator, TNC Male/Female

CAGE CODE

664U0

SIGNATURE

X

THIS DRAWING INCLUDING THE
 DESIGNS IS THE PROPERTY OF
 KONNECT RF AND IS NOT TO
 BE USED FOR ANY PURPOSE
 WITHOUT OUR APPROVAL.