

PART NUMBER

KAT177515-XX

REV.

DATE

COMMENTS

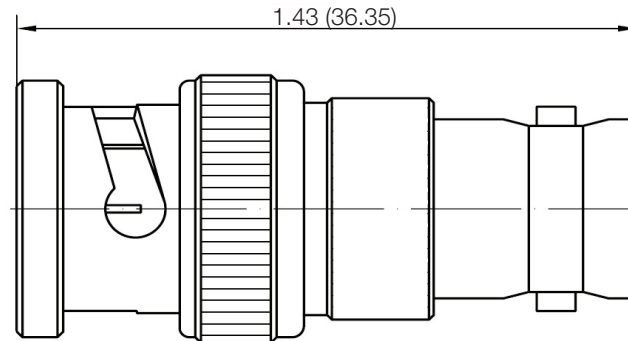
INITIAL

Electrical Data

Impedance 50 Ω
 Frequency Range DC -6 GHz.
 Attenuation Values 1 - 40 dB
 Attenuation Accuracy +/- 0.3 dB @ 3 GHz
 +/- 0.7 dB @ 6 GHz
 Average Power 2 Watts
 VSWR \leq 1.2 @ 3 GHz
 \leq 1.35 @ 6 GHz

Mechanical Data

Temperature Range: -20 $^{\circ}$ C - 115 $^{\circ}$ C

RoHS Compliant

Drawing not to scale. Dimensions for reference only

Units: Inches (mm)

Konnect RF

WWW.KONNECTRF.COM
 1-800-790-5887

PART NUMBER

KAT177515-XX

DESCRIPTION

Fixed Attenuator, BNC M/F

CAGE CODE

664U0

SIGNATURE

X

Substitute Attenuation Value for XX

THIS DRAWING INCLUDING THE
 DESIGNS IS THE PROPERTY OF
 KONNECT RF AND IS NOT TO
 BE USED FOR ANY PURPOSE
 WITHOUT OUR APPROVAL.