

PART NUMBER

**KAT177503-XX**

REV.

DATE

COMMENTS

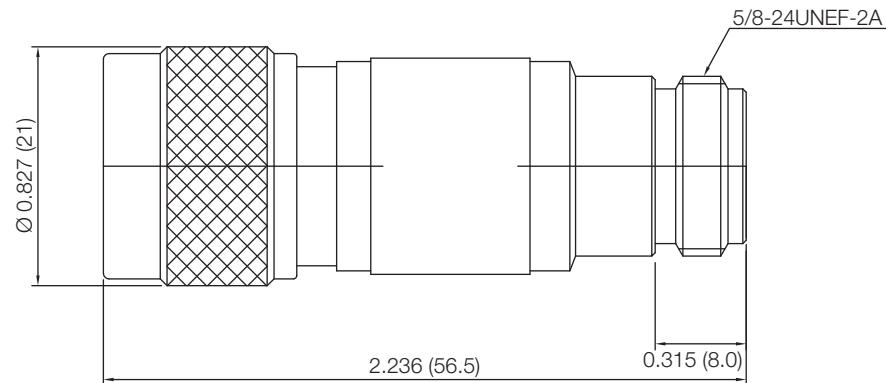
INITIAL

**RoHS Compliant****Electrical Data**

Impedance 50  $\Omega$   
 Frequency Range DC - 4 GHz.  
 Attenuation Values 1-10, 12, 15 & 20 dB  
 Attenuation Accuracy  $\pm$  0.3 dB  
 Power Rating 1.0 Watts  
 VSWR 1.20 @ DC - 4 GHz

**Mechanical Data**

Temperature Range: -40 °C - 85 °C



Drawing not to scale. Dimensions for reference only

Units: inches (mm)

**Konnect RF**

WWW.KONNECTRF.COM  
 1-800-790-5887

PART NUMBER

**KAT177503-XX**

DESCRIPTION

**Fixed Attenuator, N M/F**

CAGE CODE

**664U0**

SIGNATURE

X

Substitute XX for Attenuation Value

**Component**

Body  
 Conductors

**Material**

Brass  
 BeCu

**Plating**

Nickel  
 Gold

THIS DRAWING INCLUDING THE  
 DESIGNS IS THE PROPERTY OF  
 KONNECT RF AND IS NOT TO  
 BE USED FOR ANY PURPOSE  
 WITHOUT OUR APPROVAL.