

PART NUMBER

**KAT177497-XX**

REV.

DATE

COMMENTS

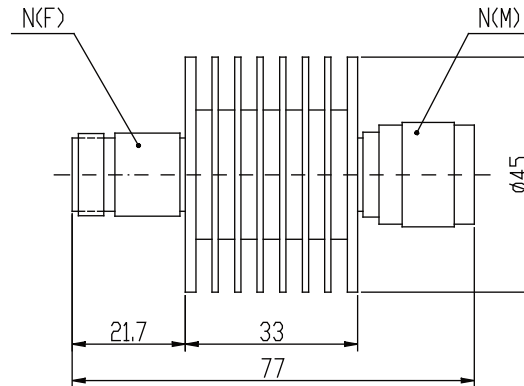
INITIAL

**Electrical Data**

Impedance 50  $\Omega$   
 Frequency Range DC - 8 GHz.  
 Attenuation Range & Accuracy 20 dB +/-1.1 dB  
 30 dB +/- 1.1 dB  
 Power Handling 25, Avg  
 VSWR  $\leq 1.3$

**Mechanical Data**

Temperature Range: 0 °C - 75 °C

**RoHS Compliant**

Drawing not to scale. Dimensions for reference only

Units: mm

**Konnect RF**

WWW.KONNECTRF.COM  
 1-800-790-5887

PART NUMBER

**KAT177497-XX**

DESCRIPTION

**Fixed Attenuator, N Male/Female**

CAGE CODE

**664U0**

SIGNATURE

X

THIS DRAWING INCLUDING THE  
 DESIGNS IS THE PROPERTY OF  
 KONNECT RF AND IS NOT TO  
 BE USED FOR ANY PURPOSE  
 WITHOUT OUR APPROVAL.