

PART NUMBER

KAT177474

REV.

DATE

COMMENTS

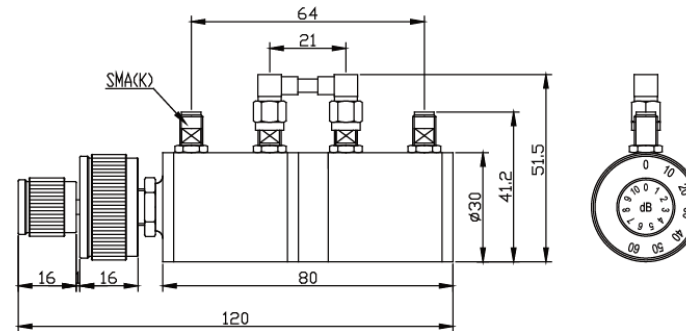
INITIAL

Electrical Data

Impedance	50 Ω
Frequency Range	DC - 2.5 GHz.
Attenuation Step Size	0-30 dB in 1 dB Steps
Attenuation Accuracy	+/-0.5 dB(\leq 10 dB) +/- 0.8 dB or 3% (\leq 50 dB)
Average Power	2W
Peak Power	100W(5 μ Pulse width with 0.5% duty cycle)
Insertion Loss	\leq 1.0 dB
VSWR	1.30

Mechanical Data

Temperature Range:	-20 $^{\circ}$ C - 85 $^{\circ}$ C
--------------------	------------------------------------

RoHS Compliant

Drawing not to scale. Dimensions for reference only

Units: mm

Konnect RF

WWW.KONNECTRF.COM
1-800-790-5887

PART NUMBER

KAT177474

DESCRIPTION

Step Attenuator, SMA Female

CAGE CODE

664U0

SIGNATURE

X

THIS DRAWING INCLUDING THE
DESIGNS IS THE PROPERTY OF
KONNECT RF AND IS NOT TO
BE USED FOR ANY PURPOSE
WITHOUT OUR APPROVAL.

Component

Body
Center Contact

Material

Brass
BeCu

Plating

Nickel
Gold