

PART NUMBER

KAT177471

REV.

DATE

COMMENTS

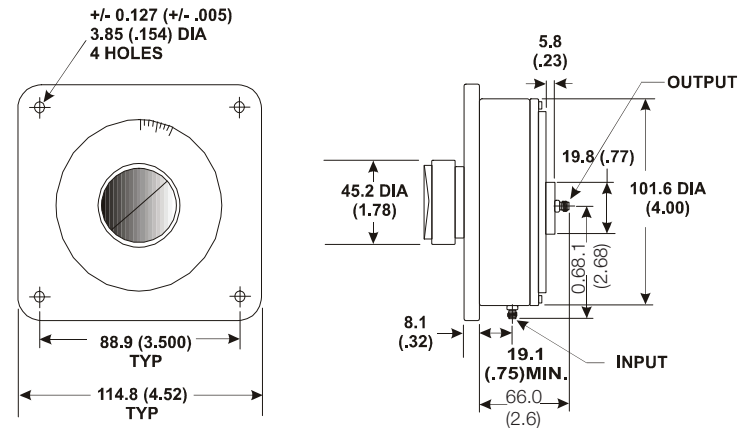
INITIAL

Electrical Data

Impedance	50 Ω
Frequency Range	DC - 2.0 GHz.
Residual Insertion Loss	5 dB
Attenuation Range	30,60,90,100, or 115 dB
Accuracy	+/- 0.25 dB or 4% at midband
Dial Calibration	1 dB increments at midband
Resolution	5 to 120 dB~ 285 Degrees
Power Rating	5 Watts average, 0.5 kW peak, to 40 Degrees C ambient temperature, de-rated linearly to 0 Watts at 85 Degrees
Power Coefficient	<0.005 dB/dB/watt
Phase Shift	1 Degree/ dB x f (GHz) max
VSWR	1.50 @ DC-1.0 GHz 1.60 @ 1.0-2.0 GHz

Mechanical Data

Durability	10,000 Cycles Standard, 50,000 operational
Operating Temperature :	0 $^{\circ}$ C - 85 $^{\circ}$ C
Non-Operating Temperature	-55 $^{\circ}$ C-125 $^{\circ}$ C
Temperature Coefficient	<0.001 dB/dB/ $^{\circ}$ C

RoHS Compliant

Drawing not to scale. Dimensions for reference only

Units: mm (inches)

Konnect RF

WWW.KONNECTRF.COM
1-800-790-5887

PART NUMBER

KAT177471

DESCRIPTION

Continuously Variable Rotary Attenuator, N Connectors

CAGE CODE

664U0

SIGNATURE

X

THIS DRAWING INCLUDING THE DESIGNS IS THE PROPERTY OF KONNECT RF AND IS NOT TO BE USED FOR ANY PURPOSE WITHOUT OUR APPROVAL.