

PART NUMBER

**KAT177469-XX**

REV.

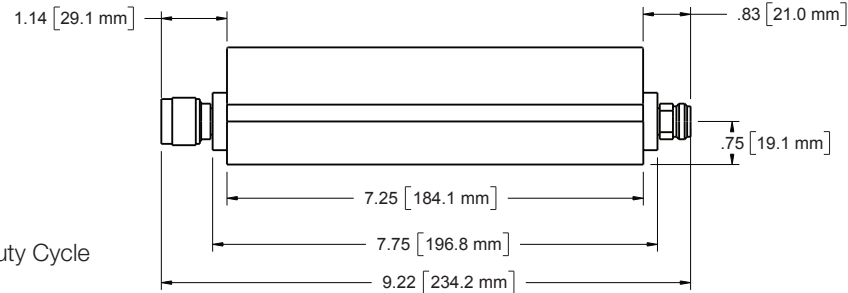
DATE

COMMENTS

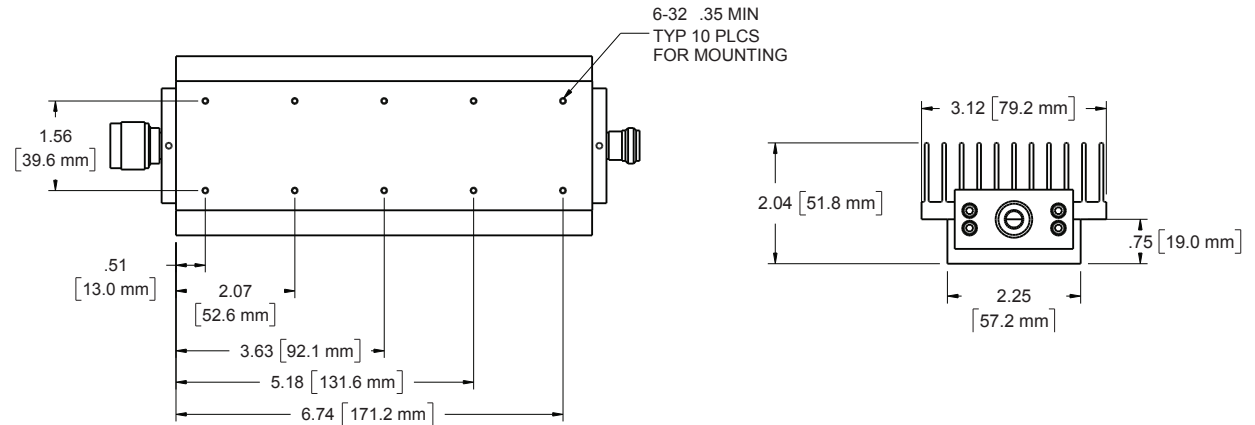
INITIAL

**Electrical Data**

Impedance	50 Ω
Frequency Range	DC - 8.5 GHz
Attenuation Value	10 - 30 dB, 40 dB
Attenuation Accuracy	10 -30 dB ± 0.75 dB
	40 dB ± 1.0 dB
Average Power	250W @ 25°C Derated
	Linearly to 25W @ 125°C
Peak Power	5KW
	5μSEC Pulse Width; 1.5% Duty Cycle
VSWR	≤ 1.30 @ 4 GHz
	≤ 1.45 @ 8.5 GHz

**RoHS Compliant****Mechanical Data**

Temperature Range: -55 °C - 125 °C



Drawing not to scale. Dimensions for reference only

Units: inches (mm)

**Konnect RF**

WWW.KONNECTRF.COM  
1-800-790-5887

PART NUMBER

**KAT177469-XX**

DESCRIPTION

**Fixed Attenuator, N Male/Female, w/ LIM Opt.**

CAGE CODE

**664U0**

SIGNATURE

X

Substitute Attenuation Value for XX

**Component**

Body

Connectors

**Material**

Black Aluminum Alloy

Stainless Steel

**Plating/Finish**

Passivated

THIS DRAWING INCLUDING THE  
DESIGNS IS THE PROPERTY OF  
KONNECT RF AND IS NOT TO  
BE USED FOR ANY PURPOSE  
WITHOUT OUR APPROVAL.