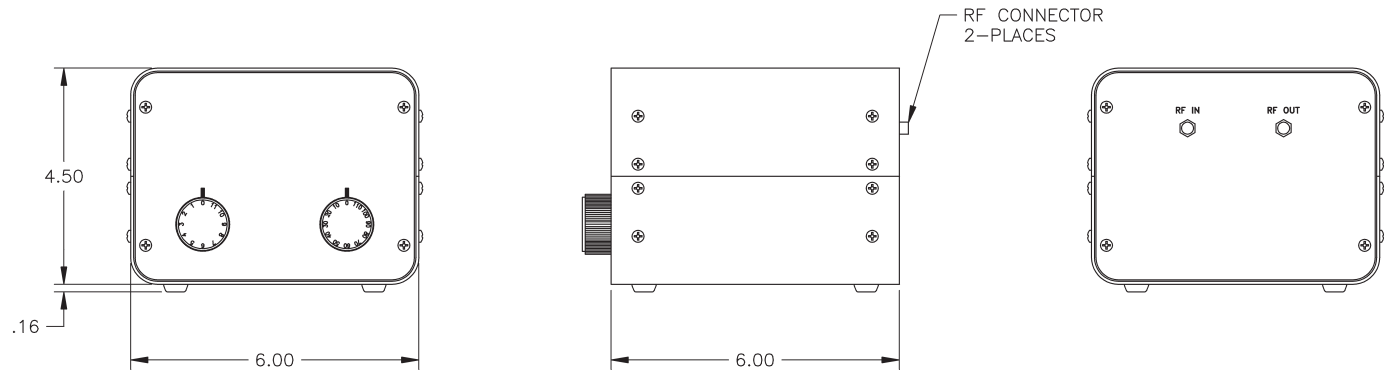


PART NUMBER

**KAT177460**

REV.

INITIAL

**Electrical Data**Impedance  
Frequency Range50  $\Omega$   
5 - 8 GHz**RoHS Compliant**

KNOB DETAIL

**Konnect RF**540 NW University Blvd. Ste. 109  
Port Saint Lucie, Florida, 34986  
1-800-790-5887

PART NUMBER

**KAT177460**

DESCRIPTION

**Step Attenuator - SMA  
0-100 dB in 1 dB Steps**

CAGE CODE

**664U0**

SIGNATURE

X **Materials**

Body      Aluminum Alloy      Black

THIS DRAWING INCLUDING THE  
DESIGNS IS THE PROPERTY OF  
KONNECT RF AND IS NOT TO  
BE USED FOR ANY PURPOSE  
WITHOUT OUR APPROVAL.