

PART NUMBER

KAT177455-XX

REV.

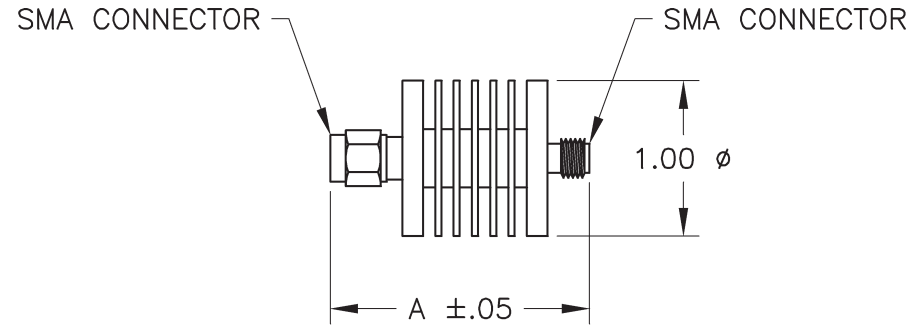
DATE

COMMENTS

INITIAL

Electrical Data

Impedance	50 Ω
Frequency Range	DC - 18 GHz.
Attenuation Values	1-10, 12, 20, 30 or 40 dB nominal (consult factory for other dB values)
Attenuation Accuracy	0-6 dB \pm 0.3 dB (DC-12.4 GHz) \pm 0.5 dB (12.4-18 GHz)
	7-20 dB \pm 0.5 dB (DC-12.4 GHz) \pm 0.7 dB (12.4-18 GHz)
	21-40 dB \pm 0.7 dB (DC-12.4 GHz) \pm 1.0 dB (12.4-18 GHz)
RF Input Power	10 Watts average @ +25°C Derate Linearly to 2 Watts @ + 125°C
Peak Power	500 Watts (5 microsecond pulse, 0.5 % duty cycle)
Temperature Range:	-65 °C - 125 °C
VSWR	1.2 maximum DC-6 GHz 1.3 maximum 6-12.4 GHz 1.4 maximum 12.4-18 GHz

RoHS Compliant

SMA CONN.	DIM A 0-20 dB	DIM A 30 & 40 dB
MALE/FEMALE	1.70	1.95
FEMALE/FEMALE	1.57	1.82
MALE/MALE	1.83	2.07

SHOWN WITH SMA MALE/FEMALE

Drawing not to scale. Dimensions for reference only

Units: inches

Konnect RF

WWW.KONNECTRF.COM
1-800-790-5887

PART NUMBER

KAT177455-XX

DESCRIPTION

Fixed Attenuator, SMA Male/Female

CAGE CODE

664U0

SIGNATURE

X

**Substitute Attenuation Value in dB for XX

THIS DRAWING INCLUDING THE
DESIGNS IS THE PROPERTY OF
KONNECT RF AND IS NOT TO
BE USED FOR ANY PURPOSE
WITHOUT OUR APPROVAL.