

PART NUMBER

KAT177453-XX

REV.

DATE

COMMENTS

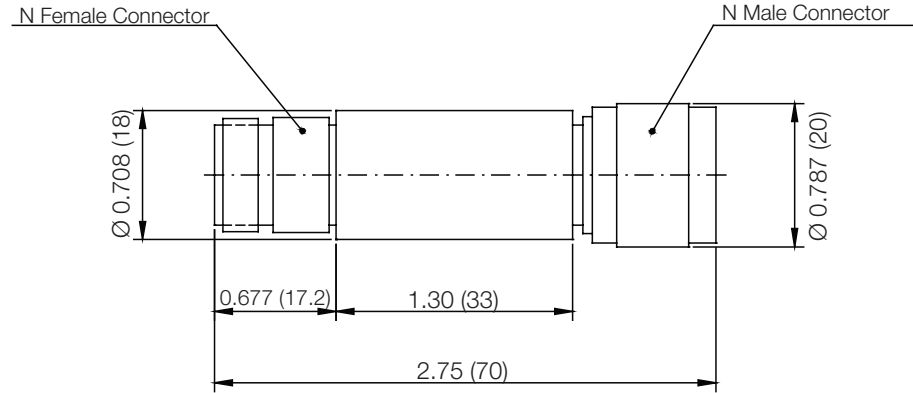
INITIAL

Electrical Data

Impedance	50 Ω
Frequency Range	DC - 3 GHz.
Attenuation	XX dB
Attenuation Accuracy	± 0.4 @ 1-9 dB ± 0.5 @ 10 dB ± 0.5 @ 20 dB ± 0.6 @ 30 dB
Average Power	5W Average @ 25°C Ambient Temp., Derated Linearly to 0.5W @ 125°C
Peak Power	1 KW
VSWR	≤ 1.20

Mechanical Data

Temperature Range: -55 °C - 125 °C

RoHS Compliant

Drawing not to scale. Dimensions for reference only

Units: inches (mm)

Konnect RF

WWW.KONNECTRF.COM
1-800-790-5887

PART NUMBER

KAT177453-XX

DESCRIPTION

Fixed Attenuator, N Male/Female

CAGE CODE

664U0

SIGNATURE

X

Substitute Attenuation Value in dB for XX

THIS DRAWING INCLUDING THE
DESIGNS IS THE PROPERTY OF
KONNECT RF AND IS NOT TO
BE USED FOR ANY PURPOSE
WITHOUT OUR APPROVAL.

Component

Body
Center Contact Male Plug
Center Contact Female Jack
Housing

Material

Brass
Brass
BeCu
Aluminum

Plating

Nickel
Gold
Gold