

PART NUMBER

KAT177448

REV.

INITIAL

Electrical Data

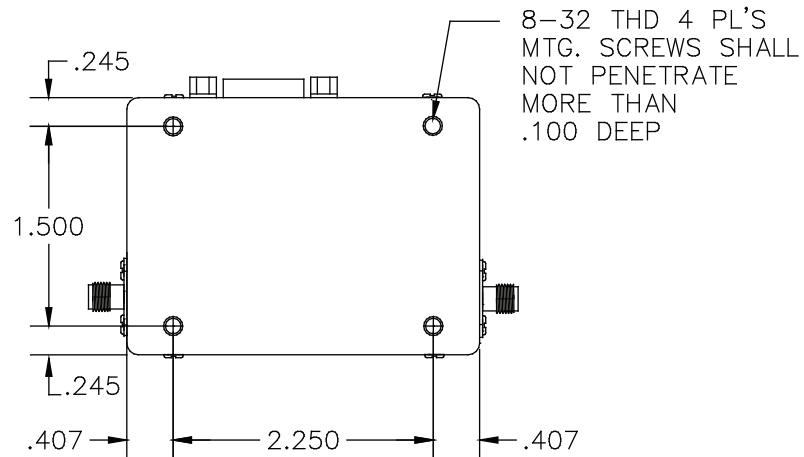
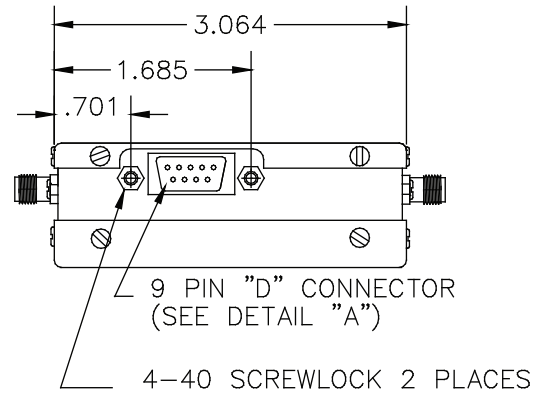
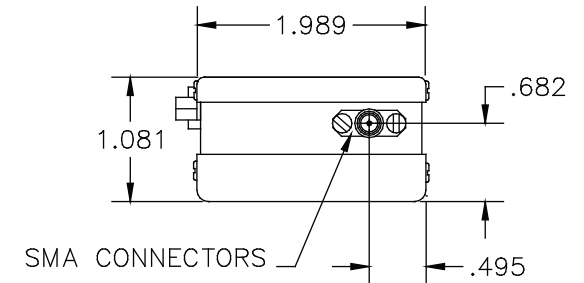
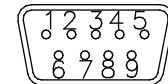
Impedance 50 Ω
Frequency Range DC - 1 GHz
Attenuation Range 0 - 31.5 dB
Attenuation Steps 0.5, 1, 2, 4, 8, 16 dB
Insertion Loss 3.5 dB Max.
Average Power 0.5 watt
VSWR 1.5:1 Max.

Overall Accuracy @500 MHz \pm 0.5 dB
 @1000 MHz \pm 0.75 dB

DC Supply +12 VDC @ 31 ma per bit
Switching Speed 6 milliseconds maximum
Switch Life 10,000,000 selections per bit
TTL Logic TTL Positive Logic

VSWR and Frequency Range Specifications
 are for reference and are dependant on cable
 type and other application specific conditions

Drawing not to scale. Dimensions for reference only

**RoHS Compliant****DETAIL "A"**
PIN CONFIGURATION

1-0.5dB
 2-1dB
 3-2dB
 4-4dB
 5-8dB
 6-16dB
 7-OPEN
 8-GROUND
 9-+12VDC

Konnect RF

WWW.KONNECTRF.COM
 540 NW University Blvd. Ste. 109
 Port Saint Lucie, Florida, 34986
 1-800-790-5887

PART NUMBER

KAT177448

DESCRIPTION

Programmable Step Attenuator - SMA Female

CAGE CODE

664U0

SIGNATURE

X

THIS DRAWING INCLUDING THE
 DESIGNS IS THE PROPERTY OF
 KONNECT RF AND IS NOT TO
 BE USED FOR ANY PURPOSE
 WITHOUT OUR APPROVAL.