

PART NUMBER

KAT177439

REV.

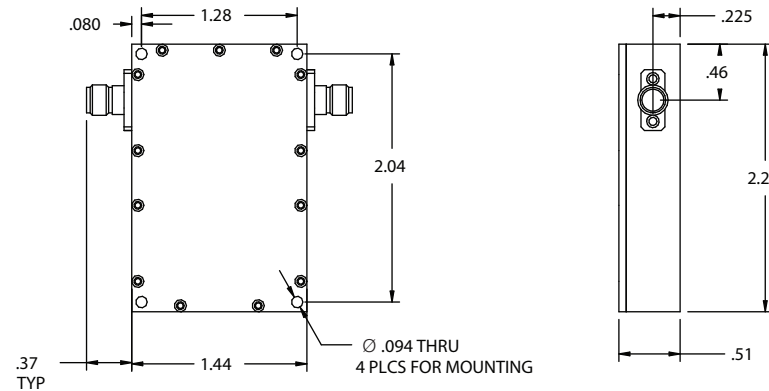
DATE

COMMENTS

INITIAL

Electrical Data

Impedance	50 Ω
Frequency Range	DC - 6 GHz
Average Power	0.3
Directionality	Bidirectional
Attenuation Range	0-60 dB
Attenuation Accuracy	± 0.5 dB
Insertion Loss	7.0 dB @ DC-4.0 GHz 9.0 dB @ 4.0 - 6.0 GHz
VSWR	≤ 1.50 max
Switching Speed	100 ns
Step Size	0.5
Input Power	+22 dBm
Input Third Order	
Interception Point	+32 dBm
Programming Interface Options	USB 2.0
Input Power Requirements	Powered via USB

RoHS Compliant**Mechanical Data**

Temperature Range:	
Operating	-55 °C - 85 °C
Non-operating	-60 °C - 125 °C

Drawing not to scale. Dimensions for reference only

Units: inches

Konnect RF

WWW.KONNECTRF.COM
1-800-790-5887

PART NUMBER

KAT177439

DESCRIPTION

Digital Switched Programmable Step Attenuator, SMA Female

CAGE CODE

664U0

SIGNATURE

X

Component

Connector Body

Material

Stainless Steel

Plating/Finish

Passivated

THIS DRAWING INCLUDING THE
DESIGNS IS THE PROPERTY OF
KONNECT RF AND IS NOT TO
BE USED FOR ANY PURPOSE
WITHOUT OUR APPROVAL.