

PART NUMBER

**KAT177395-XX**

REV.

DATE

COMMENTS

INITIAL

A

11-4-14

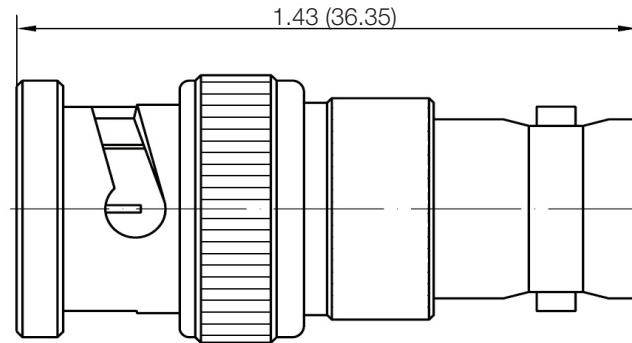
Fixed Error on Drawing. Updated

*MS***Electrical Data**

Impedance 50  $\Omega$   
 Frequency Range DC -6 GHz.  
 Attenuation Values 1 - 40 dB  
 Attenuation Accuracy +/- 0.3 dB @ 3 GHz  
 +/- 0.7 dB @ 6 GHz  
 Average Power 2 Watts  
 VSWR  $\leq$  1.2 @ 3 GHz  
 $\leq$  1.35 @ 6 GHz

**Mechanical Data**

Temperature Range: -20 °C - 115 °C

**RoHS Compliant**

Drawing not to scale. Dimensions for reference only

Units: Inches (mm)

**Konnect RF**

WWW.KONNECTRF.COM  
 1-800-790-5887

PART NUMBER

**KAT177515-XX**

DESCRIPTION

**Fixed Attenuator, BNC M/F**

CAGE CODE

**664U0**

SIGNATURE

*X*

Substitute Attenuation Value for XX

THIS DRAWING INCLUDING THE  
 DESIGNS IS THE PROPERTY OF  
 KONNECT RF AND IS NOT TO  
 BE USED FOR ANY PURPOSE  
 WITHOUT OUR APPROVAL.