

PART NUMBER

KAT177383

REV.

DATE

COMMENTS

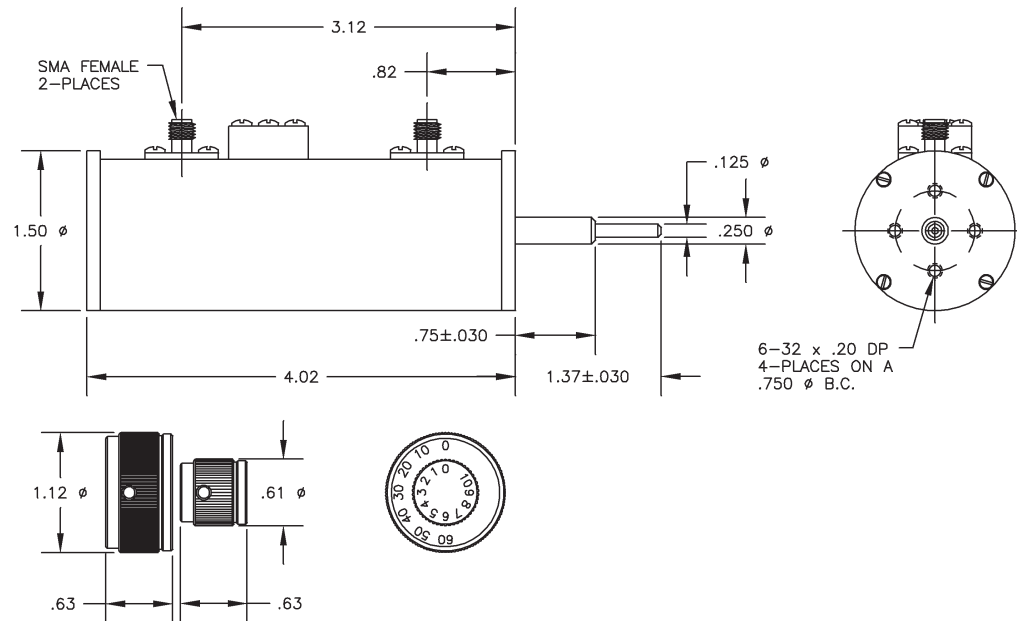
INITIAL

Electrical Data

Impedance	50 Ω
Frequency Range	DC - 2 GHz.
Insertion Loss	≤ 0.6 dB @ DC-1 GHz ≤ 1.0 dB @ 1-2 GHz
Attenuation Range	0-70 dB in 1 dB Steps
Attenuation Accuracy	+/- 0.5 dB or 3%
RF Input Power	2 Watts Average 1,000 Watts Peak
VSWR	≤ 1.25 @ DC-1 GHz ≤ 1.50 @ 1-2 GHz

Mechanical Data

Direction of Rotation	Attenuation Increase In a Clockwise
Indexing	30 Degrees w/ Stops at Min. & Max.
Temperature Range:	-20 °C - 85 °C

RoHS Compliant

Drawing not to scale. Dimensions for reference only

Units: inches

Konnect RF

WWW.KONNECTRF.COM
1-800-790-5887

PART NUMBER

KAT177383

DESCRIPTION

Dual Rotary Attenuator, SMA Female

CAGE CODE

664U0

SIGNATURE

X

Component
Body

Material
Aluminum Alloy

Plating
Chemfilm TCP

THIS DRAWING INCLUDING THE
DESIGNS IS THE PROPERTY OF
KONNECT RF AND IS NOT TO
BE USED FOR ANY PURPOSE
WITHOUT OUR APPROVAL.