

PART NUMBER

KAT177369

REV.

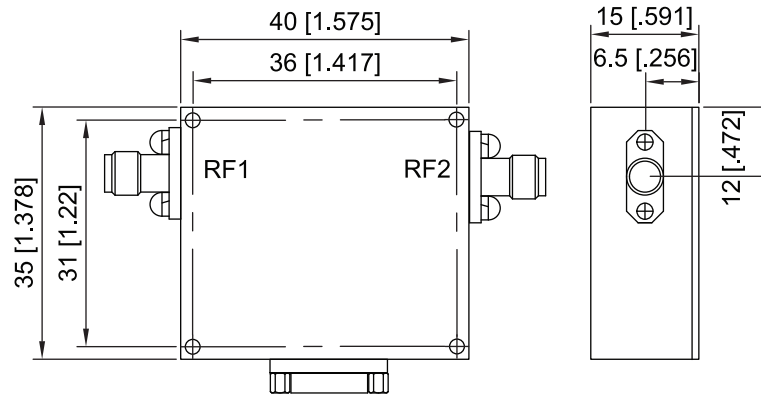
DATE

COMMENTS

INITIAL

Electrical Data

Frequency Range	2-10 GHz
Insertion Loss	≤ 7dB
Flatness	≤±2dB
Step attenuation	0.1dB
Digital Control	Serialized Control
Attenuation Range	0-60dB
Input VSWR	2 max
Output VSWR	2 max
Input / Output VSWR:	≤2(without attenuation)
Input power Without	25dB max.
Voltage	±5V
Current	0.1A typ.

RoHS Compliant

Tolerance: ±0.2mm [±0.008in]

Mechanical Data

Operation Temperature :	-40-70°C
Storage Temperature:	-55-70°C

Pin Numbering

Pin	Function	Pin	Function
1	+5V	6	EN
2	-5V	7	NC
3	GND	8	NC
4	CLK (LSB)	9	DGND
5	DATA		

Drawing not to scale. Dimensions for reference only**Units: mm(Inches)****Konnnect RF**

WWW.KONNECTRF.COM
1-800-790-5887

PART NUMBER

KAT177369

DESCRIPTION

Programmable Attenuator, Digital, SMA Female

CAGE CODE

664U0

SIGNATURE

X

Component
Housing

Material
Aluminum

THIS DRAWING INCLUDING THE
DESIGNS IS THE PROPERTY OF
KONNECT RF AND IS NOT TO
BE USED FOR ANY PURPOSE
WITHOUT OUR APPROVAL.