

PART NUMBER

KAT177359

REV.

DATE

COMMENTS

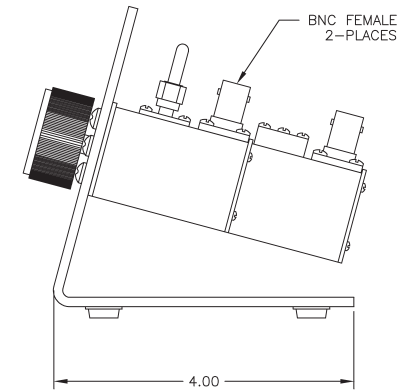
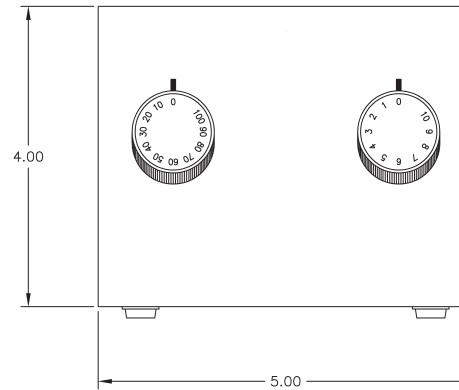
INITIAL

Electrical Data

Impedance	50 Ω
Frequency Range	DC - 2 GHz.
Attenuation Range	0-110 dB in 1 dB steps
Attenuation Accuracy	± 0.5 dB or 2% @ DC-1 GHz ± 0.5 dB or 3% @ 1-1.5 GHz ± 0.5 dB or 4% @ 1.5-2 GHz
Insertion Loss	0.75 dB max @ DC- 1 GHz 1.25 dB max @ 1-2 GHz
RF Input Power	2 Watts Average 1,000 Watts Peak
Direction of Rotation	Attenuation Increases in a Clockwise Direction
Indexing	30 Degrees
VSWR	1.3 max @ DC-1 GHz 1.5 max @ 1-1.5 Ghz 1.7 max @ 1.5-2 GHz

Mechanical Data

Temperature Range: -20 °C - 85 °C

**RoHS Compliant**

Drawing not to scale. Dimensions for reference only

Units: inches

Konnect RF

WWW.KONNECTRF.COM
1-800-790-5887

PART NUMBER

KAT177359

DESCRIPTION

Dual Rotary Attenuator, BNC Female

CAGE CODE

664U0

SIGNATURE

X

THIS DRAWING INCLUDING THE
DESIGNS IS THE PROPERTY OF
KONNECT RF AND IS NOT TO
BE USED FOR ANY PURPOSE
WITHOUT OUR APPROVAL.