

PART NUMBER

KAT177354

REV.

DATE

COMMENTS

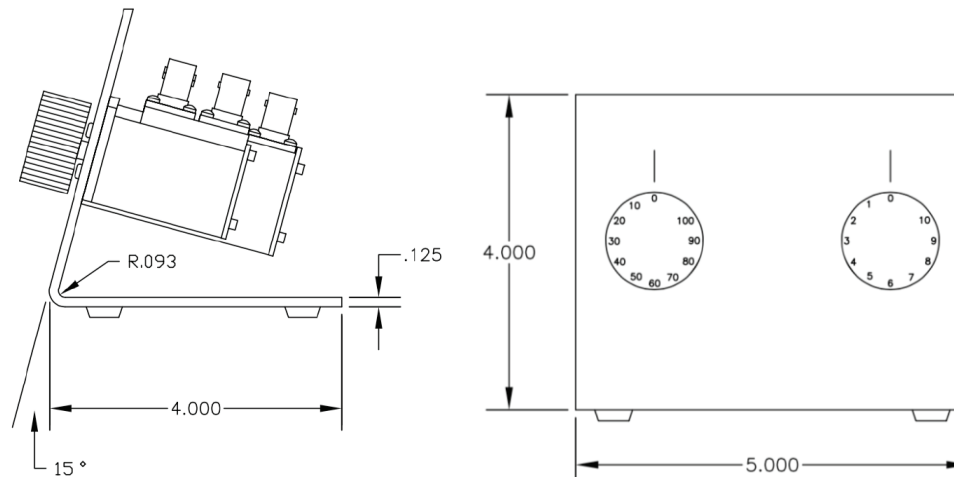
INITIAL

Electrical Data

Impedance 50 Ω
 Frequency Range DC - 2 GHz. FL-Fu
 Attenuation 0-80 dB max
 Accuracy +/-0.5 dB max
 Power 1 Watt
 VSWR 1.70
 *Adjustment 1 dB steps

Mechanical Data

Temperature Range: -55 °C - 85 °C

RoHS Compliant

Drawing not to scale. Dimensions for reference only

Units: inches

Konnect RF

WWW.KONNECTRF.COM
 1-800-790-5887

PART NUMBER

KAT177354

DESCRIPTION

Dual Rotary Attenuator, BNC Female

CAGE CODE

664U0

SIGNATURE

X

THIS DRAWING INCLUDING THE
 DESIGNS IS THE PROPERTY OF
 KONNECT RF AND IS NOT TO
 BE USED FOR ANY PURPOSE
 WITHOUT OUR APPROVAL.

Component

Connectors
 Bracket
 Case Material

Material

Brass
 Aluminum
 Aluminum

Plating

Nickel
 Black Paint
 Anodize