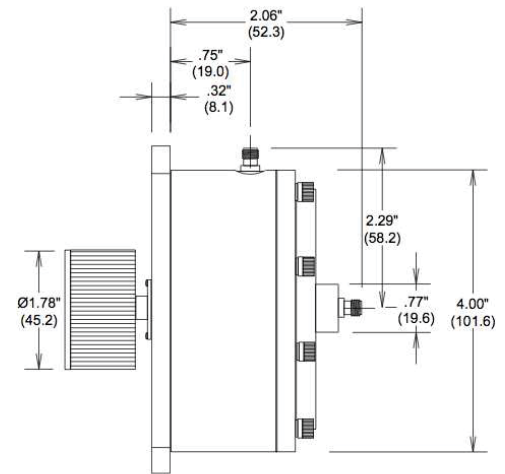
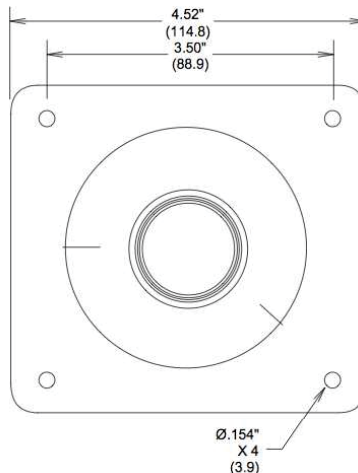


Continuously Variable Attenuator, 5W, 5.0 GHz



Wide Attenuation Range
Low Residual Insertion Loss
Rugged Construction
Long Life



Dimensions & Weight: 1.13 kg; Length: 114.80 mm; Width: 67.00 mm; Height: 114.80 mm

Connection & Mounting: Type N Female connectors per MIL-STD-348A, interface dimensions per MIL-PRF-39012.

Construction: Stainless steel connectors, rugged construction, O-ring seal for faceplate. RoHs Compliant

Calibration: Dial Calibrated in 1 dB increments at the mid-band frequency

Options: Rack Mount Kit, Bench Top Stand

Power: Low Power (up to 10W)

Average Power Description: Maximum rated average power to 40°C ambient temperature, de-rated linearly to 0 W at 85°C.

Average Power: 5

Peak Power: 0.5 kW peak (5 µsec pulse width, 0.5% duty cycle)

Power Sensitivity: <0.005 dB/dB/W

Directionality: Bidirectional

Frequency Range: dc to 5.0

Attenuation Range: 60 dB

Nominal Impedance: 50

Temperature Range: Operating, 0°C; Non-Operating, -55°C to Operating, +85°C; Non-Operating, +125°C

Temperature Coefficient: <0.001 dB/dB/C

VSWR:	Frequency Range (GHz)	dc to 1.0	1.0 to 2.0	2.0 to 3.0	3.0 to 5.0
	VSWR	1.50	1.60	1.70	1.80

Resolution: 180°

Insertion Loss: 5 dB