

PART NUMBER

KAT177301-40

REV.

DATE

COMMENTS

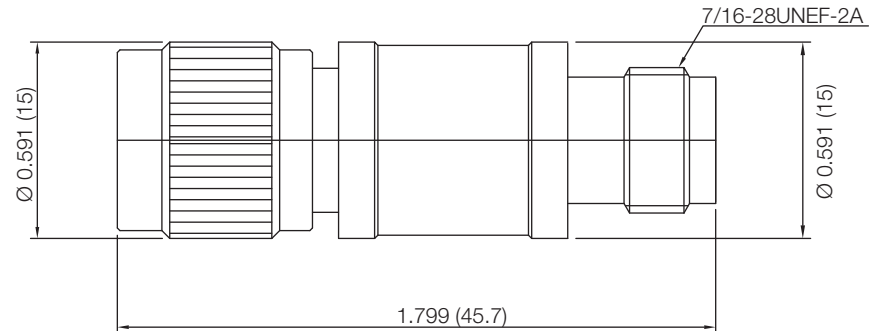
INITIAL

Electrical Data

Impedance 50 Ω
 Frequency Range DC - 2.0 GHz.
 Attenuation Values 40 dB
 Attenuation Accuracy ± 1.5 dB
 Power Rating 1.0 Watt
 VSWR ≤ 1.20 Max

Mechanical Data

Temperature Range: -40 °C - 85 °C

RoHS Compliant

Drawing not to scale. Dimensions for reference only

Units: inches (mm)

Konnect RF

WWW.KONNECTRF.COM
 1-800-790-5887

PART NUMBER

KAT177301-40

DESCRIPTION

Fixed Attenuator, TNC Male/Female

CAGE CODE

664U0

SIGNATURE

X

THIS DRAWING INCLUDING THE
 DESIGNS IS THE PROPERTY OF
 KONNECT RF AND IS NOT TO
 BE USED FOR ANY PURPOSE
 WITHOUT OUR APPROVAL.

Component

Body
 Center Contact

Material

Brass
 BeCu

Plating

Nickel
 Gold