

PART NUMBER

KAT177298-XX

REV.

DATE

COMMENTS

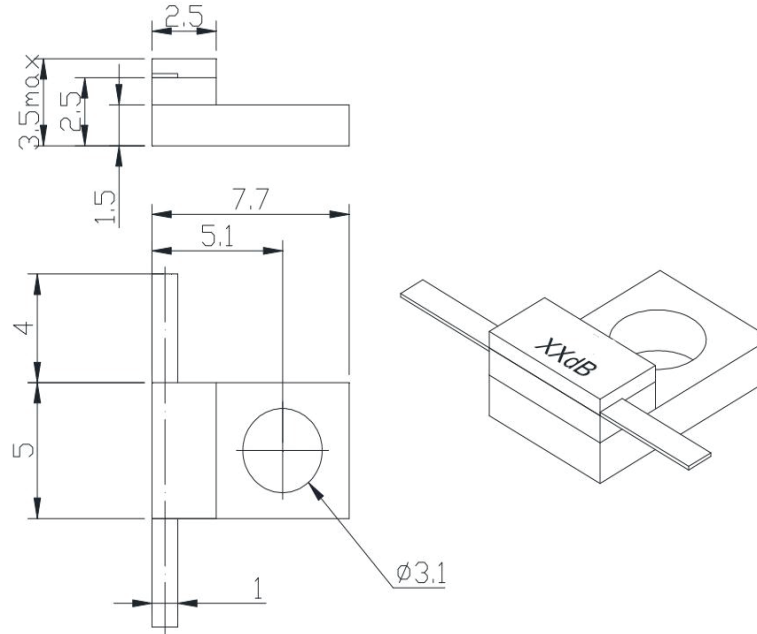
INITIAL

Electrical Data

Impedance 50 Ω
 Power Rating 10W @-55°C~+100°C, derated linearly to 0 watts @ 150°C
 Frequency Range DC - 4 GHz.
 Attenuation Range 1-10dB \pm 0.6dB
 11-20dB \pm 0.8dB
 21-30dB \pm 1.0dB
 VSWR 1.30

Mechanical Data

Temperature Range: -55 °C - 150 °C
 Temperature Coefficient <150ppm/°C

RoHS Compliant

Drawing not to scale. Dimensions for reference only

Units: mm \pm 5%**Konnect RF**

WWW.KONNECTRF.COM
 1-800-790-5887

PART NUMBER

KAT177298-XX

DESCRIPTION

Fixed Attenuator, 1 Hole Flange Mount

CAGE CODE

664U0

SIGNATURE

X

THIS DRAWING INCLUDING THE
 DESIGNS IS THE PROPERTY OF
 KONNECT RF AND IS NOT TO
 BE USED FOR ANY PURPOSE
 WITHOUT OUR APPROVAL.