

PART NUMBER

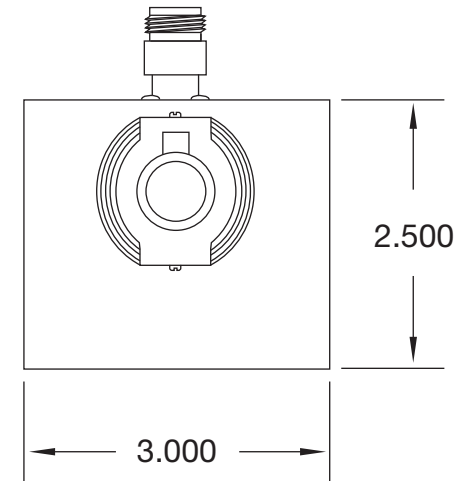
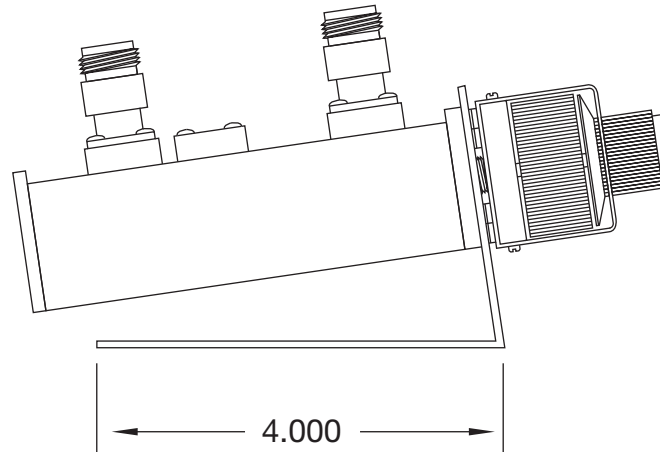
KAT177237

REV.

INITIAL

Electrical Data

Impedance	50 Ω
Frequency Range	DC - 500 MHz
Attenuation Range	0 - 109 dB in 1 dB Steps
Attenuation Accuracy	± 0.5 dB or 2%
Insertion Loss	0.4 dB Max.
VSWR	1.3:1 Max.
Average Power	2 Watts

RoHS Compliant

VSWR and Frequency Range Specifications
are for reference and are dependant on cable
type and other application specific conditions

Drawing not to scale. Dimensions for reference only

WWW.KONNECTRF.COM
540 NW University Blvd. Ste. 109
Port Saint Lucie, Florida, 34986
1-800-790-5887

PART NUMBER

KAT177237

DESCRIPTION

**Miniature Dual Concentric Attenuator - N Female
Jack - Supplied with Bench Top Bracket**

CAGE CODE

664U0

SIGNATURE

X

THIS DRAWING INCLUDING THE
DESIGNS IS THE PROPERTY OF
KONNECT RF AND IS NOT TO
BE USED FOR ANY PURPOSE
WITHOUT OUR APPROVAL.