

PART NUMBER

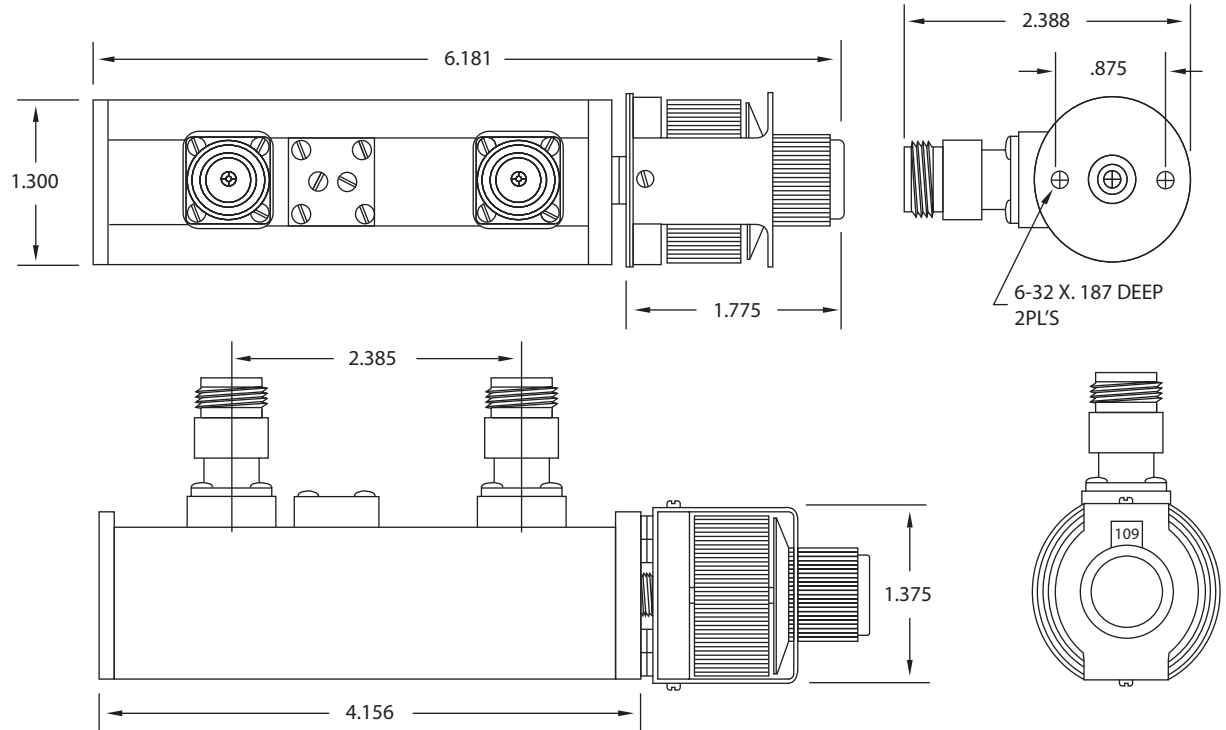
**KAT177236**

REV.

INITIAL

**Electrical Data**

Impedance	50 $\Omega$
Frequency Range	DC - 500 GHz
Attenuation Range	0 - 109 dB in 1 dB Steps
Attenuation Accuracy	$\pm 0.5$ dB or 2%
Insertion Loss	0.4 dB Max.
Maximum SWR	1.3:1
Average Power	2 Watts

**RoHS Compliant**

VSWR and Frequency Range Specifications are for reference and are dependant on cable type and other application specific conditions

Drawing not to scale. Dimensions for reference only

WWW.KONNECTRF.COM  
540 NW University Blvd. Ste. 109  
Port Saint Lucie, Florida, 34986  
1-800-790-5887

PART NUMBER

**KAT177236**

DESCRIPTION

**Miniature Dual Concentric Attenuator  
N Female Jack**

CAGE CODE

**664U0**

SIGNATURE

X

THIS DRAWING INCLUDING THE DESIGNS IS THE PROPERTY OF KONNECT RF AND IS NOT TO BE USED FOR ANY PURPOSE WITHOUT OUR APPROVAL.