

PART NUMBER

KAT177227

REV.

INITIAL

Electrical Data

Impedance 50 Ω
Frequency Range DC - 18 GHz
Attenuation Range DC - 69 dB in 1 dB Steps
VSWR 1.6:1 Max. DC - 4GHz
 2.4:1 Max. 4 - 18GHz

Attenuation Accuracy (1 dB Steps)
 ± 0.3 dB DC - 4GHz
 ± 0.5 dB 4 - 18GHz

 (10 dB Steps)
 ± 0.5 dB or 2% DC - 4GHz
 ± 1.0 dB or 3% 4 - 18GHz

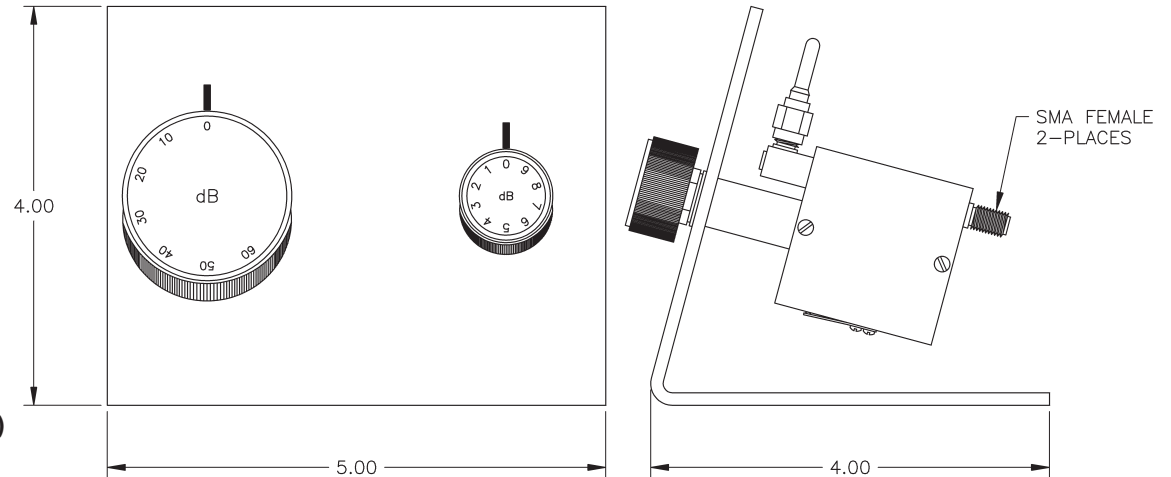
Insertion Loss 2.5 dB Max.
RF Input Power 2 Watts Average @ 25°C
 Derate to 1 Watt Average @ 50°C
 200 Watts Peak (1 Microsecond Pulse)

Direction of Rotation Attenuation Increases in a Clockwise
 Direction

Indexing (1 dB Steps)
 36° With No Stop Between
 Min. and Max. Settings

 (10 dB Steps)
 36° With Stop Between
 Min. and Max. Settings

RF Connector SMA Female
Operating Temp. Range 0°C to +50°C

RoHS Compliant

VSWR and Frequency Range Specifications
 are for reference and are dependant on cable
 type and other application specific conditions

Drawing not to scale. Dimensions for reference only

WWW.KONNECTRF.COM
 540 NW University Blvd. Ste. 109
 Port Saint Lucie, Florida, 34986
 1-800-790-5887

PART NUMBER

KAT177227

DESCRIPTION

**Bench Mount Rotary Attenuator
SMA Female Jack**

CAGE CODE

664U0

SIGNATURE

X

THIS DRAWING INCLUDING THE
 DESIGNS IS THE PROPERTY OF
 KONNECT RF AND IS NOT TO
 BE USED FOR ANY PURPOSE
 WITHOUT OUR APPROVAL.