

PART NUMBER

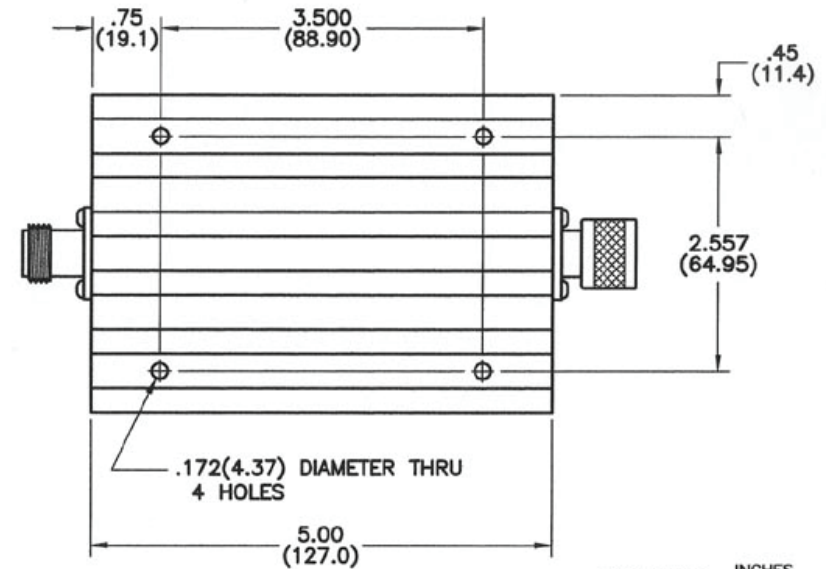
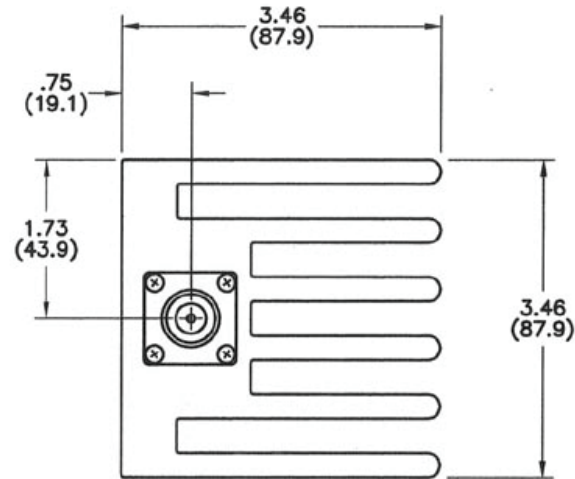
KAT177222-XX

REV.

DATE

DESC.

INITIAL

DIMENSIONS: INCHES
(MILLIMETERS)**SPECIFICATIONS**

FREQUENCY RANGE - DC TO 3.0 GHz

IMPEDANCE - 50 OHMS

ATTENUATION VALUE - 1-40 dB IN ANY 1 dB INCREMENT

ACCURACY : ±0.5 dB 3 -10 dB, ±0.75 dB 20 - 40 dB

VSWR (1.5 GHz) - 1.15:1

(2.4 GHz) - 1.20:1

(3.0 GHz) - 1.25:1

INPUT POWER (AVG.) - 100 WATTS

(PEAK) - 2000 WATTS

OPERATING TEMPERATURE - -55°C TO +125°C

CONNECTOR TYPES - TYPE N OR TNC

MALE TO FEMALE (STANDARD)

(TYPE N SHOWN)

Konnnect RF

1-800-790-5887

WWW.KONNECTRF.COM

PART NUMBER

KAT177222-XX

DESCRIPTION

**FIXED ATEENUATOR DC-3GHz
100 Watt, N FEMALE**

CAGE CODE

664U0

SIGNATURE

X

NOTES

THIS DRAWING INCLUDING THE
DESIGNS IS THE PROPERTY OF
KONNECT RF AND IS NOT TO
BE USED FOR ANY PURPOSE
WITHOUT OUR APPROVAL.