

PART NUMBER

KAT177193-XX

REV.

DATE

COMMENTS

INITIAL

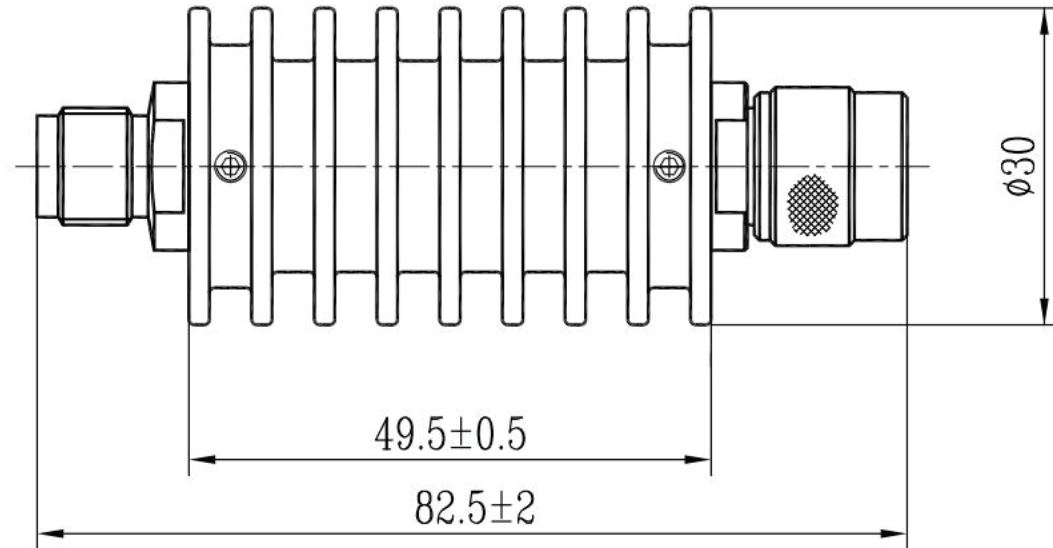
Electrical Data

RoHS Compliant

Impedance	50 Ω
Frequency Range	DC - 18 GHz.
Power Rating	10 Watts @25°C derated linearly to 0 watts @ 125°C
Peak Power	0.5kW (5 μ s pulse width, 1% duty cycle)
Attenuation Range	Deviation
	1 - 10 dB \pm 0.8 dB
	11 - 20 dB \pm 0.9 dB
	21 - 30 dB \pm 1.0 dB
	31 - 40 dB \pm 1.2 dB
V.S.W.R	1.40 maximum

Mechanical Data

Temperature Coefficient	<0.0004 dB/dB/°C
Temperature Range:	-55 °C - 125 °C

**Drawing not to scale. Dimensions for reference only****Units: mm****Konnect RF**

WWW.KONNECTRF.COM
1-800-790-5887

PART NUMBER

KAT177193-XX

DESCRIPTION

Fixed Attenuator, TNC Male/Female, Bi-Directional

CAGE CODE

664U0

SIGNATURE

X

THIS DRAWING INCLUDING THE
DESIGNS IS THE PROPERTY OF
KONNECT RF AND IS NOT TO
BE USED FOR ANY PURPOSE
WITHOUT OUR APPROVAL.

Component

Body
Male Contact
Female Contact
Housing

Material

Brass
Brass
BeCu
Aluminum Blacken Anodize

Plating

White Bronze
Gold
Gold