

PART NUMBER

KAT177139

REV.

DATE

COMMENTS

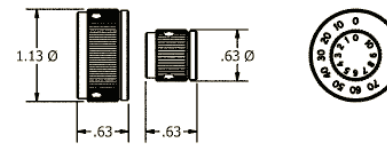
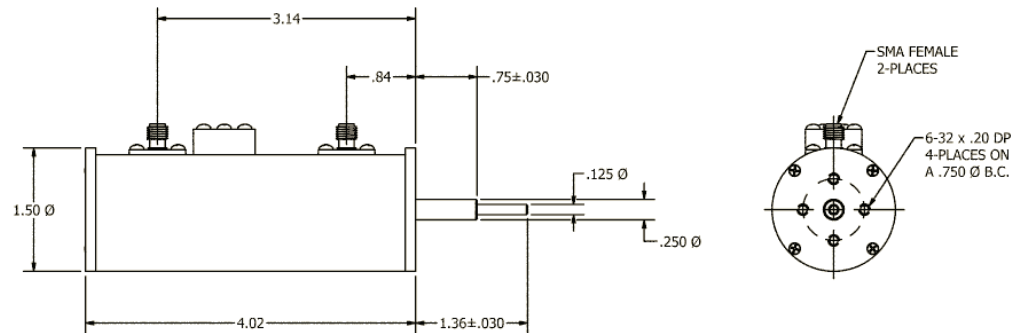
INITIAL

Electrical Data

Impedance	50
Attenuation Range	0-80 dB in 1 dB steps Ω
Frequency Range	DC-2,700 MHz
Insertion Loss	1.5 dB maximum 0.7 dB typical @ 2,700 MHz
Attenuation Accuracy	± 0.5 dB or 4%
RF Input Power	2 Watts average 1,000 Watts peak (whichever is greater)
VSWR	1.5:1 maximum DC-500 MHz 1.7:1 maximum 500-2,700 MHz

Mechanical Data

Lifetime	500,000 attenuation steps (each knob)
Operating Temperature Range:	-20 °C - 85 °C
Direction of Rotation	Attenuation increases in a Clockwise direction
Indexing	30 degrees with stops at Minimum and maximum

RoHS Compliant

KNOB DETAIL

Drawing not to scale. Dimensions for reference only

Units: inches

Konnect RF

WWW.KONNECTRF.COM
1-800-790-5887

PART NUMBER

KAT177139

DESCRIPTION

Dual Rotary Attenuator, SMA Female

CAGE CODE

664U0

SIGNATURE

X

THIS DRAWING INCLUDING THE
DESIGNS IS THE PROPERTY OF
KONNECT RF AND IS NOT TO
BE USED FOR ANY PURPOSE
WITHOUT OUR APPROVAL.