

PART NUMBER

KAT177011

REV.

DATE

COMMENTS

INITIAL

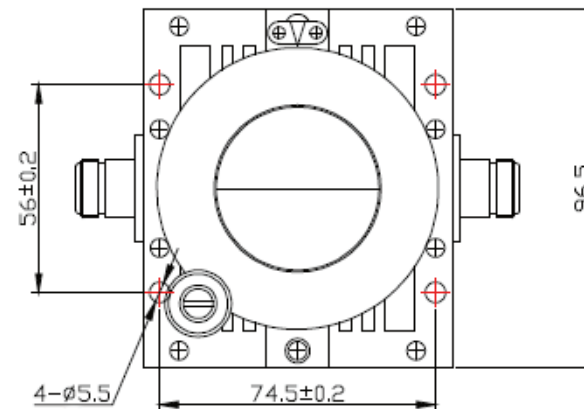
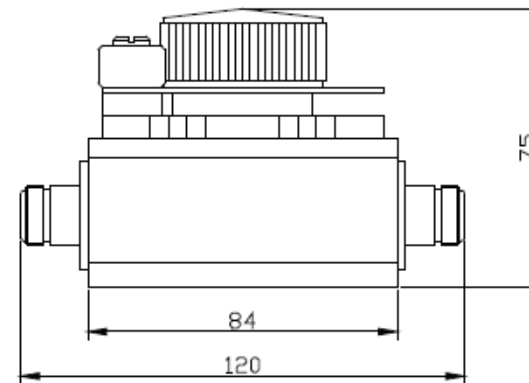
Electrical Data

Impedance 50Ω
Average Power 50W

Mechanical Data

Temperature Range: -40 °C - 65 °C

Model Number	Frequency Range(GHz)	Bandwidth (MHz)	Attenuation Accuracy(dB)	Attenuation Range(dB)	Max VSWR	Insertion Loss(dB)
KAT177011	2.7-29GHz	100	±0.5	0-10	1.5(Forward)	≤1.0
		200	±0.75			

**RoHS Compliant**

Drawing not to scale. Dimensions for reference only

Units: mm Tolerance ±3%

Konnect RF

WWW.KONNECTRF.COM
1-800-790-5887

PART NUMBER

KAT177011

DESCRIPTION

Variable Attenuator, N Female Jack

CAGE CODE

664U0

SIGNATURE

X

THIS DRAWING INCLUDING THE DESIGNS IS THE PROPERTY OF KONNECT RF AND IS NOT TO BE USED FOR ANY PURPOSE WITHOUT OUR APPROVAL.

Component

Body
Center Contact
Housing
Insulator

Material

Brass
BeCu
Aluminum

Plating

Nickel
Gold
Black Anodize