

PART NUMBER

KAT177007-XX

REV.

DATE

COMMENTS

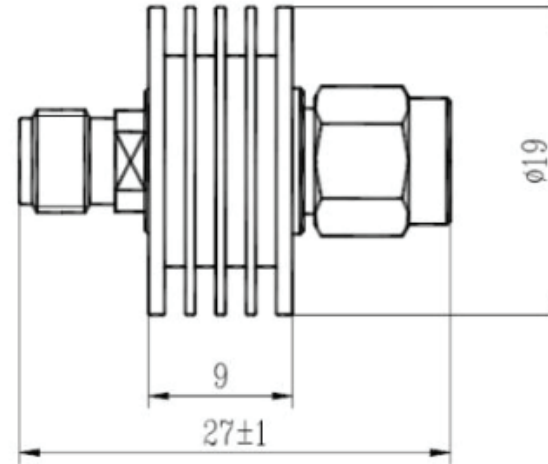
INITIAL

Electrical Data

Impedance	50 Ω
Power Rating	5 Watts @25°C derated linearly to 0 watts @ 125°C
Peak Power	0.25kW (5 μ s pulse width, 1% duty cycle)
Frequency Range	DC-18 GHz
Attenuation Range	1-10dB \pm 0.6dB 11-20dB \pm 0.8dB 21-30dB \pm 1.0dB
VSWR	1.30 Max

Mechanical Data

Temperature Range:	-55 °C - 125 °C
Temperature Coefficient	<0.0004 dB/dB/°C

RoHS Compliant

Drawing not to scale. Dimensions for reference only

Units: mm

Konnect RF

WWW.KONNECTRF.COM
1-800-790-5887

PART NUMBER

KAT177007-XX

DESCRIPTION

Fixed Attenuator, SMA Male/Female,Bidirectional

CAGE CODE

664U0

SIGNATURE

X

Attenuation Value = XX DB Value

Component**Material****Plating**

Body

Male Contact

Female Contact

Housing

Brass

BeCu

Gold

Gold

Aluminum Blackend

THIS DRAWING INCLUDING THE
DESIGNS IS THE PROPERTY OF
KONNECT RF AND IS NOT TO
BE USED FOR ANY PURPOSE
WITHOUT OUR APPROVAL.