

PART NUMBER

KAD197624

REV.

DATE

COMMENTS

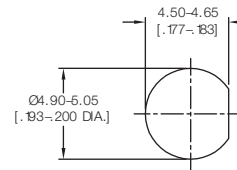
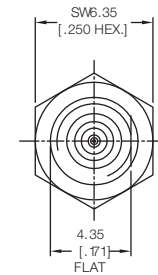
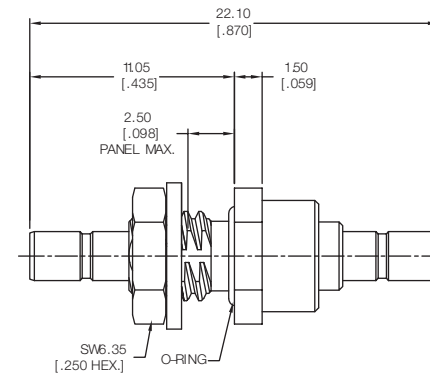
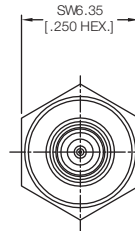
INITIAL

Electrical Data

Impedance	50 Ω
Frequency Range	DC - 4 GHz.
Insertion Loss	$0.25 \times \sqrt{F}$ GHz dB Max
Voltage Rating	350 VEFF Max
Contact Resistance	
Insulation Resistance	1,000 M Ω Min
Dielectric Withstanding Voltage	500 VEFF Min
VSWR	$1.08 + 0.02 \times F$ (GHz) Max

RoHS Compliant**Mechanical Data**

Temperature Range:	-65 °C - 165 °C
2011/65/EU(RoHS) AND 2015/863/(RoHS): COMPLIANT	
1907/2006/EC(REACH): COMPLIANT	
Hermeticity	Better Than 1×10^{-8} ATM.CM /S CC/SEC
Panel Leakage	IP54
Center Contact Retention	
Axial Force Mating End	10 N MIN.
Axial Force Opposite End	10 N MIN.
Torque	NA N.CM MIN.
Recommended Torque	
Mating	NA N.CM
Panel Nut	60 N.CM
Mating Life	500 CYCLE MIN.

Recommended
Mounting Hole

Drawing not to scale. Dimensions for reference only

Units: mm(Inches)

Konnect RFWWW.KONNECTRF.COM
1-800-790-5887

PART NUMBER

KAD197624

DESCRIPTION

Adapter, In Series, SSMB Male Jack to Male Jack, Bulkhead

CAGE CODE

664U0

SIGNATURE

X

ComponentBody & Fastening Nut
Center Contact
Insulator
O-Ring**Material**Brass
Brass
PTFE
Fluorocarbon Rubber**Plating**Gold 0.2 μ M Over Nickel 2 μ M Plated
Gold 1.3 μ M over Nickel 2 μ M PLATEDTHIS DRAWING INCLUDING THE
DESIGNS IS THE PROPERTY OF
KONNECT RF AND IS NOT TO
BE USED FOR ANY PURPOSE
WITHOUT OUR APPROVAL.